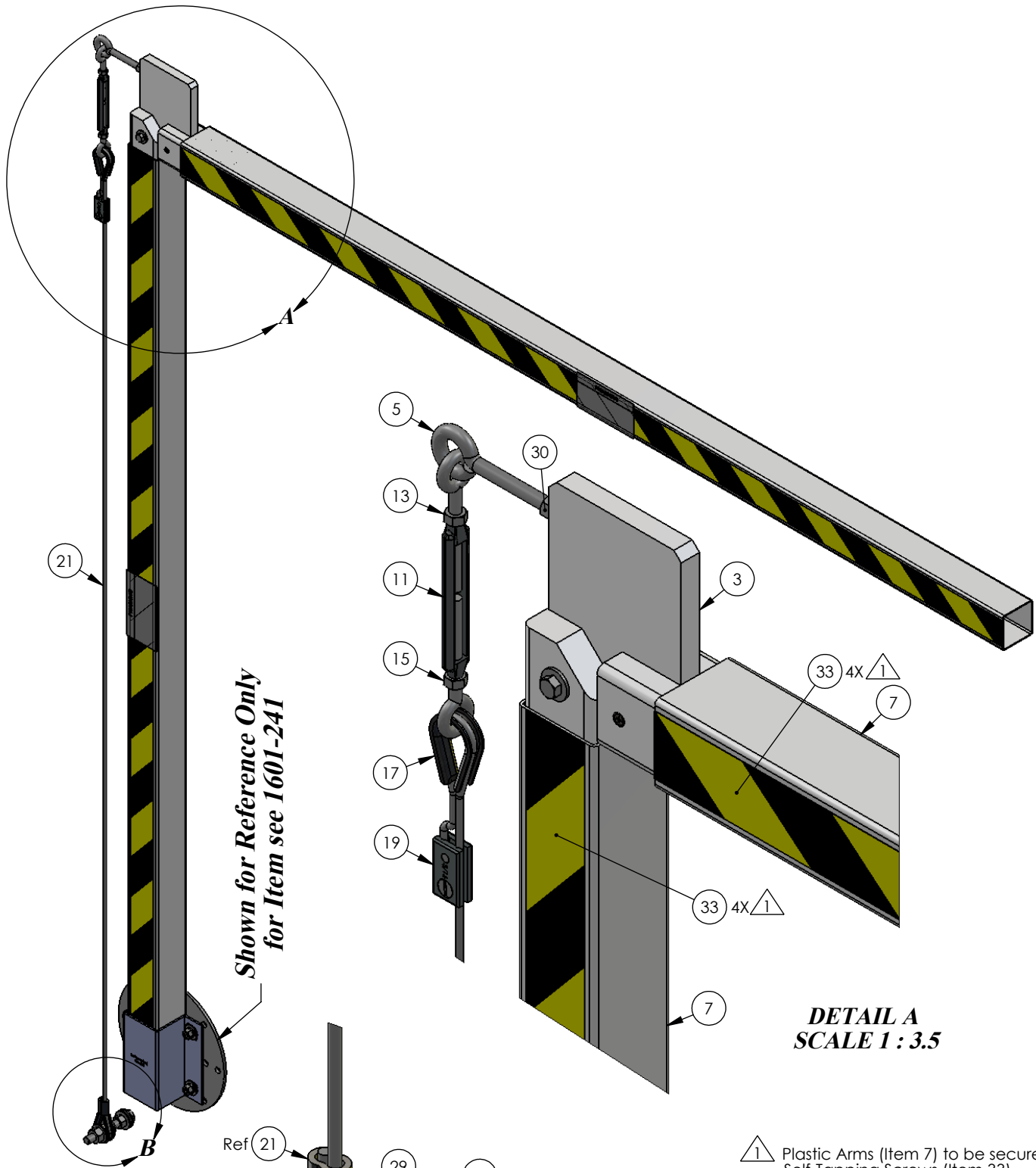
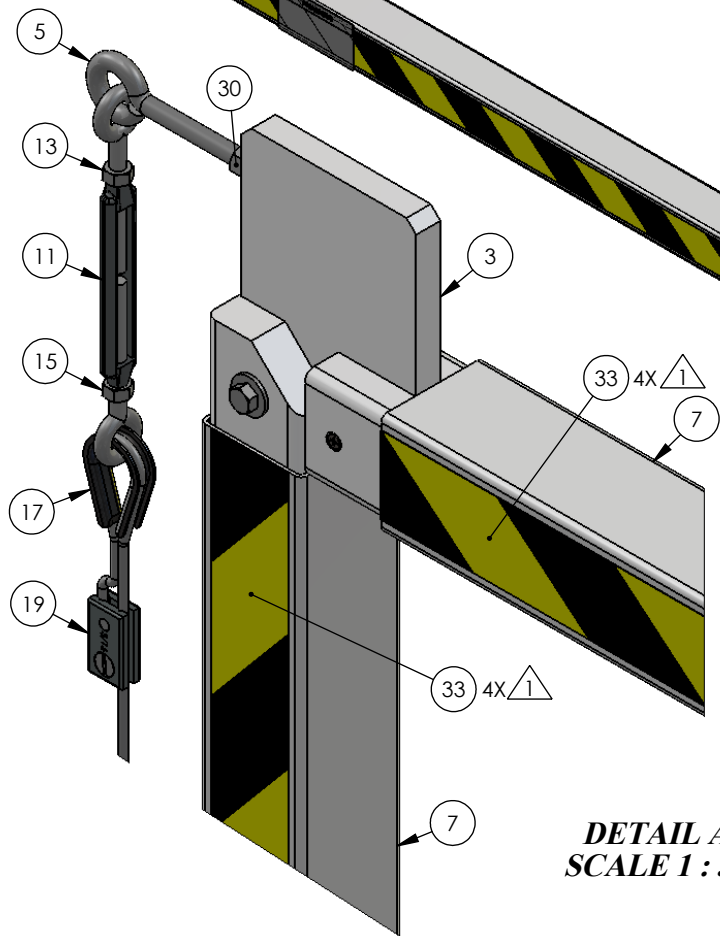


REVISIONS

REV	DESCRIPTION	DATE	APPR
C	Revised & Redrawn on SolidWorks. Deleted P/Ns: 2599-035, 2615-187, 2620-135.	Sal 11/13/08	D.C. 11/13/08



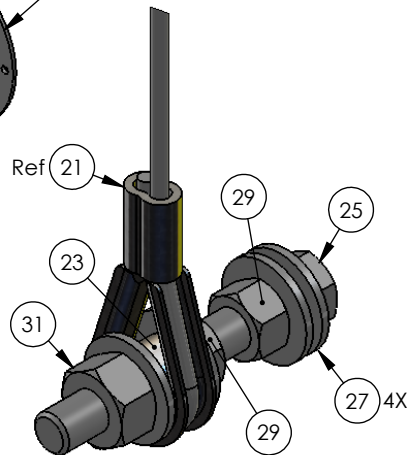
*Shown for Reference Only
for Item see 1601-241*



DETAIL A
SCALE 1 : 3.5

△ Plastic Arms (Item 7) to be secured using Self-Tapping Screws (Item 33).

Notes: Unless Otherwise Specified.



DETAIL B
SCALE 1 : 2

PROPRIETARY AND CONFIDENTIAL
THE INFORMATION CONTAINED IN THIS DRAWING IS THE SOLE PROPERTY OF Door King. ANY REPRODUCTION IN PART OR AS A WHOLE WITHOUT THE WRITTEN PERMISSION OF Door King IS PROHIBITED.

**Arm Folding Plastic
Model 1601-083**

SIZE A	DWG 1601-883	REV C
SCALE: 1:24		SHEET 1 of 2

Item	Part Number	Qty	UM	Description	Rev
1	1601-883	1	EA	IPB-Model 1601-083, Arm Folding Plastic	C
3	1601-049	1	EA	Plastic Elbow Assembly	
5	1601-225	1	EA	Bolt Eye 3/8-16 x 7	
7	1601-172	2	EA	Arm Plastic Assy 6ft.	
11	1601-122	1	EA	Turnbuckle Stainless	
13	1601-126	1	EA	Nut 8 x 1.25mm RH Stainless	
15	1601-127	1	EA	Nut 8 x 1.25mm LH Stainless	
17	1601-124	1	EA	Thimble Eye Bare End	
19	1601-123	1	EA	Cable Clamp	
21	1601-121	1	EA	Cable Steel	
23	2600-147	1	EA	Spacer Steel .75 OD x .53 ID x .56 L	
25	2615-188	1	EA	Bolt Hex 1/2-13 x 3 1/2 Tapped	
27	2620-030	4	EA	Washer 1/2 USS	
29	2620-420	2	EA	Nut Hex 1/2-13	
30	2620-405	1	EA	Nut Hex 3/8-16	
31	2620-320	1	EA	Nut Center Lock 1/2-13	
33	2616-441	8	EA	Screw Self Taping #8 x 3/4 Phil	