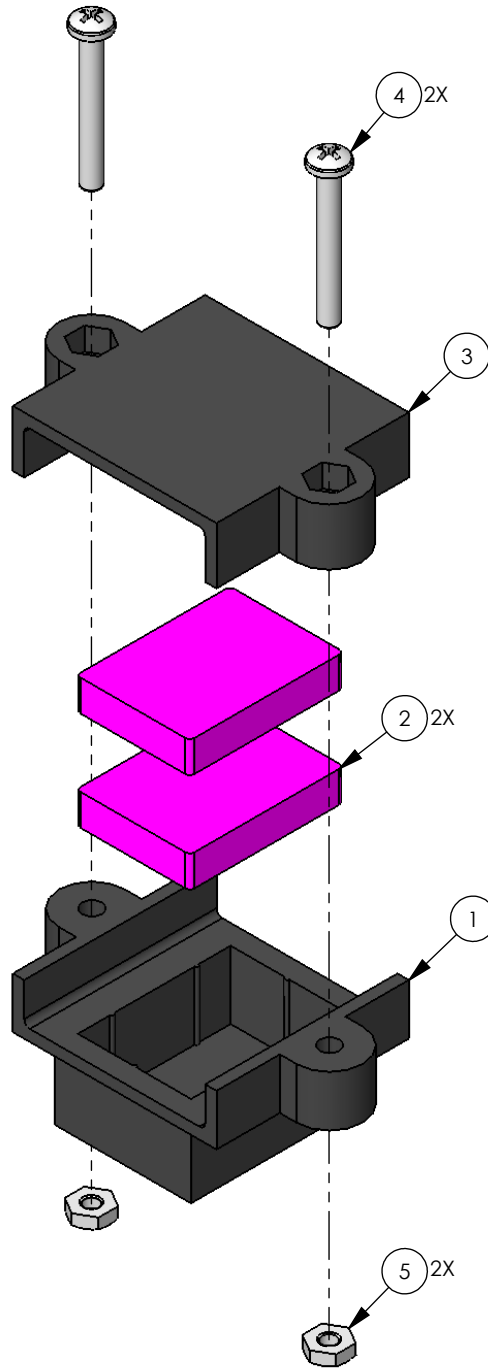


REVISIONS

EO	REV	DESCRIPTION	Drawn	APPR
---	A	Production Release	Sal 10/18/07	D.C. 12/10/07
---	B	Item 2 (Magnet) Qty Was: 1	Sal 03/06/08	D.C. 03/06/08



ITEM	PART NUMBER	DESCRIPTION	QTY
1	6500-035	Bracket Plastic Magnet Holder	1
2	6500-036	Magnet Rect 1.25 x 1.69 x .34	2
3	6500-034	Bracket Plastic Magnet Holder	1
4	2616-056	Screw Phillips Head 10-32 x 1 1/2	2
5	2902-006	Nut-Nylon Lock 10-32	2

**PROPRIETARY AND CONFIDENTIAL**  
 THE INFORMATION CONTAINED IN THIS DRAWING IS THE SOLE PROPERTY OF Door King. ANY REPRODUCTION IN PART OR AS A WHOLE WITHOUT THE WRITTEN PERMISSION OF Door King IS PROHIBITED.

NAME	DATE
Sal	10/18/07
CHECKED	
COMMENTS:	

**DKS**

**Assy-Magnet, 6500 Arm**

SIZE **A** DWG. NO. **6500-420** REV. **B**

Scale: None SHEET 1 OF 1

Notes: Unless Otherwise Specified.