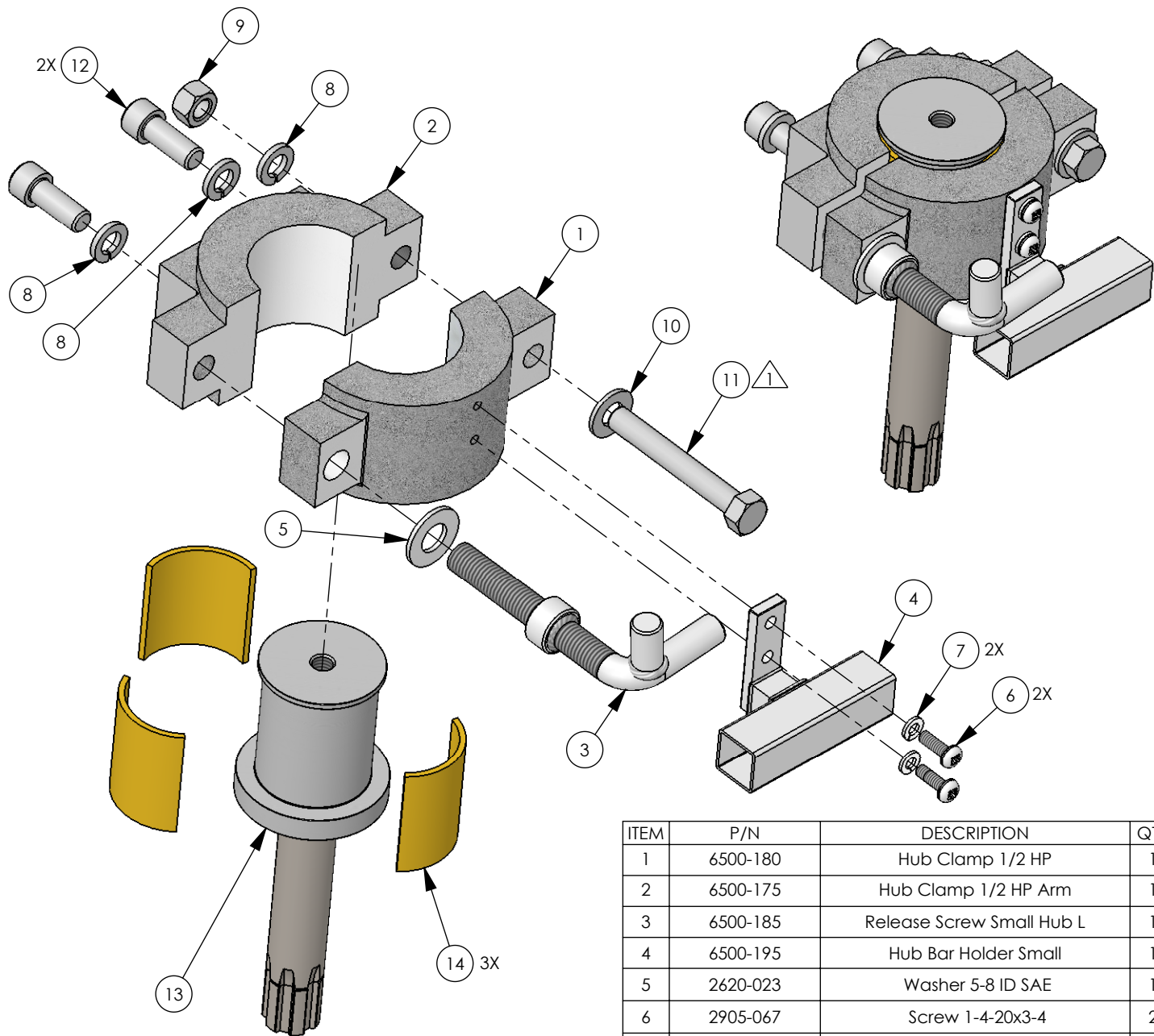



REVISIONS

EO	REV	DESCRIPTION	Drawn	APPR
---	A	2905-067 Screw 1/4-20 x 3/4" was 2905-065 1/4-20 x 1/2"	09/24/12	D.C.
	B	Add 6500-161 Hub Assy w/Extension Shaft, Remove 6500-160 Hub and 2616-099 Set Screw 2X	12/1/2014	D.C.
	C	Replace 6500-161 with 6500-162 Splined Hub Assy	5/11/2016	D.C.



ITEM	P/N	DESCRIPTION	QTY
1	6500-180	Hub Clamp 1/2 HP	1
2	6500-175	Hub Clamp 1/2 HP Arm	1
3	6500-185	Release Screw Small Hub L	1
4	6500-195	Hub Bar Holder Small	1
5	2620-023	Washer 5-8 ID SAE	1
6	2905-067	Screw 1-4-20x3-4	2
7	2620-109	Washer Split 1-4-20	2
8	2620-050	Lockwasher 1/2	3
9	2620-320	Nut Center Lock 1/2-13	1
10	2620-021	Washer 1/2 SAE	1
11	2615-086	Bolt Hex Head 1/2-13 x 3	1
12	2615-829	Bolt Hex Soc RH 1/2-13 x 1 1/2	2
13	6500-162	Hub w/Extension Shaft Assy 1/2HP	1
14	6500-145	Bushing Brass 1.125 R	3

 Reference - Torque to 25lbs.  
Notes: Unless Otherwise Specified.

**PROPRIETARY AND CONFIDENTIAL**  
THE INFORMATION CONTAINED IN THIS DRAWING IS THE SOLE PROPERTY OF Door King. ANY REPRODUCTION IN PART OR AS A WHOLE WITHOUT THE WRITTEN PERMISSION OF Door King IS PROHIBITED.

	NAME	DATE
DRAWN		
CHECKED		
COMMENTS:		



Hub Assy-  
1/2HP

SIZE	DWG. NO.	REV.
A	6500-400	C
Scale: None		SHEET 1 OF 1