

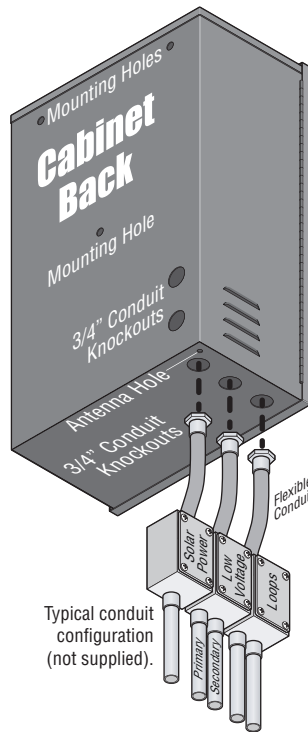
QUICKSTART "BASIC" GUIDELINES FOR SOLAR CONTROL BOX FOR 6003, 6004, 6005 OR 6400

UL 325 August
2018 Standard



120 S. Glasgow Avenue
Inglewood, California 90301
U.S.A.

Mount Control Box Cabinet



Position the control box on the wall, **close enough to the gate operator so the primary operator cable can be easily routed inside the box.** Use appropriate hardware (not supplied) in the existing 3 mounting holes to secure the cabinet to a vertical surface.

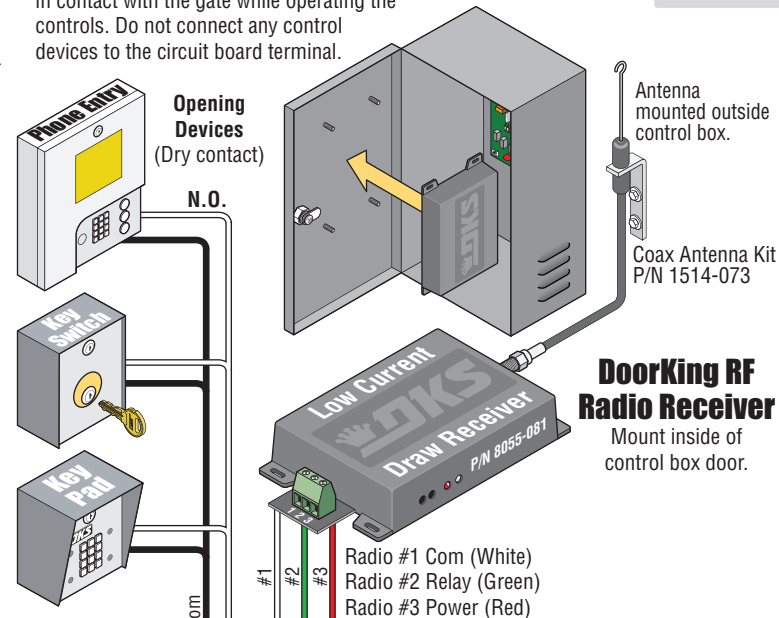
DO NOT drill any additional holes in the cabinet. Drilling produces metal filings, which can cause shorts on the circuit board and **will void the warranty.**

- **Never** run high voltage and low voltage wire insulation in the same conduit.

DoorKing offers an **OPTIONAL** mounting post kit (P/N 1000-045) when no vertical surface is available to mount the control box cabinet to.

Opening Devices

Controls must be far enough from the gate so that the user is prevented from coming in contact with the gate while operating the controls. Do not connect any control devices to the circuit board terminal.



Control box is intended for installation only on automated gates used for vehicles.

Pedestrians must be supplied with a separate access opening.

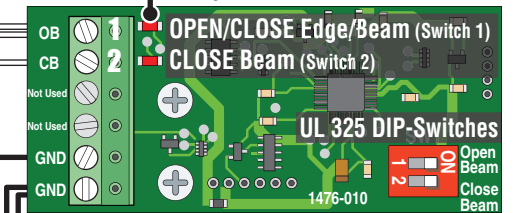
For safety and complete installation and adjustment instructions, please refer to the Wiring/Owner's manual.

UL 325 Terminal

External Entrapment Protection Devices

Entrapment Protection must be provided for the gate system where the risk of entrapment or obstruction exists. The operator will not run without one or more monitored type B1 or B2 entrapment protection devices in EACH entrapment area.

Only 1 Device can be wired to each input.
LED ON: Connected device has been activated. LED remains off during normal operation.
LED Flashing: Connected device is in fault. Wiring to device is bad.

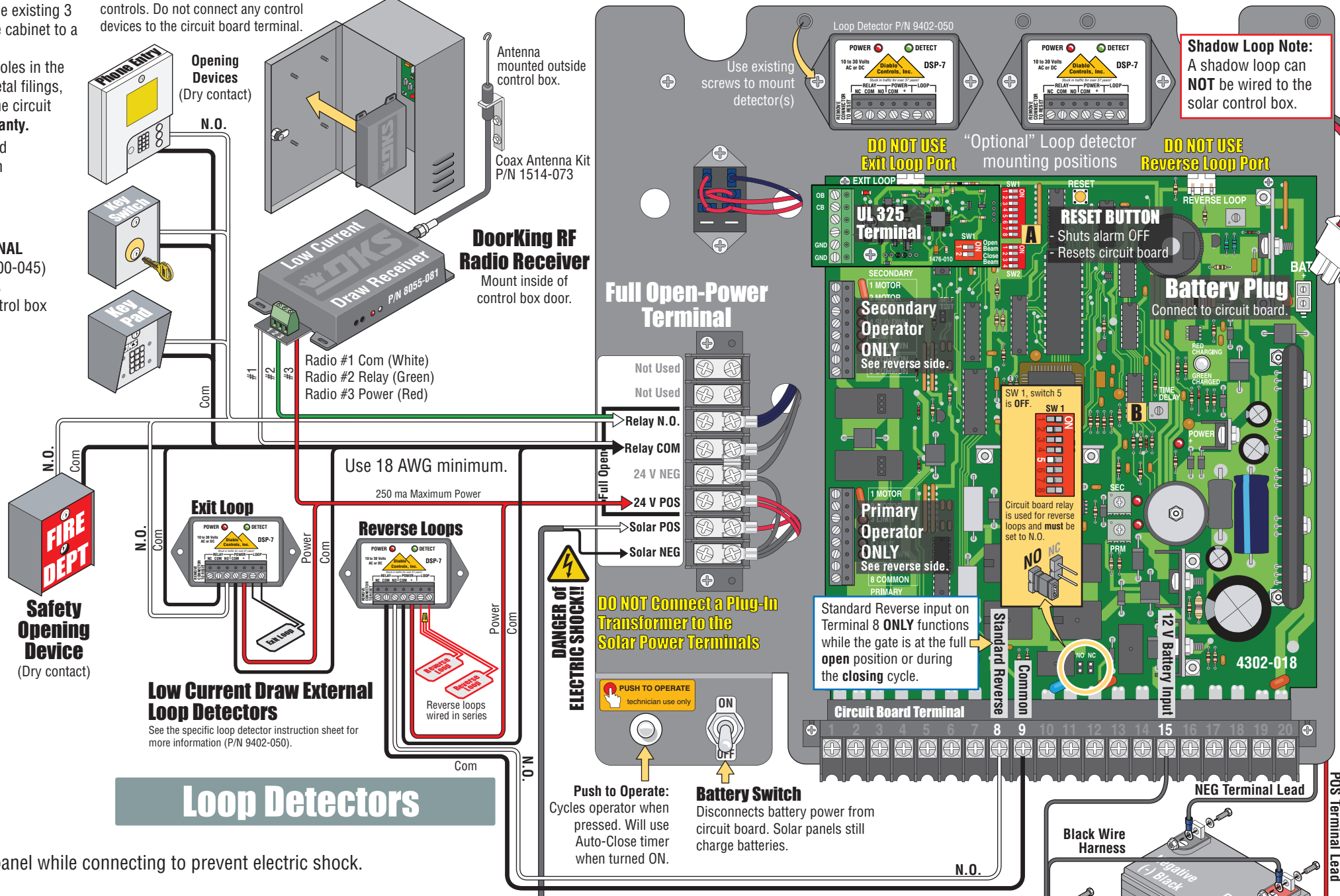
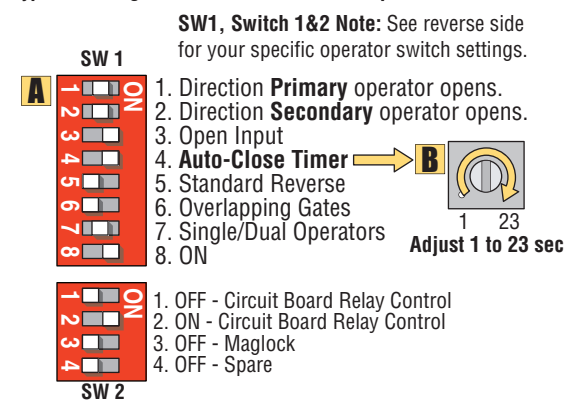


UL 325 Terminal

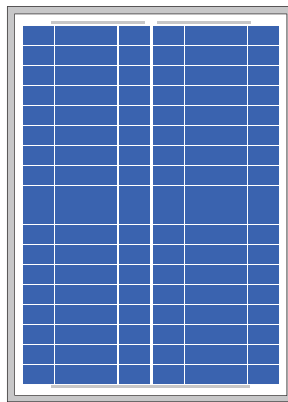
DIP-switches **MUST** be turned ON for each device wired to terminal.
Note: Only 1 monitored Device can be connected to each input. An **OPTIONAL** Expansion Kit (sold separately) will allow connection for additional devices.

Circuit Board Settings

Typical Settings with Reverse and Exit Loops. See reverse side.



24 Volt Solar Panel



Keep sunlight **OFF** solar panel while connecting to prevent electric shock.

Solar Pos. (White Wire)
Solar Neg. (Black Wire)
Solar panel should face true south in unobstructed sunlight.

Solar Control Box Requirements:

- (1) One 24 Volt 10 Watt Solar Panel for 18 Amp/Hr Batteries (P/N 2000-077).
- (1) One 24 Volt 20 Watt Solar Panel for 35 Amp/Hr Batteries (P/N 2000-076).

DO NOT connect 12 Volt solar panel. Damage WILL occur!!

Loop Detectors

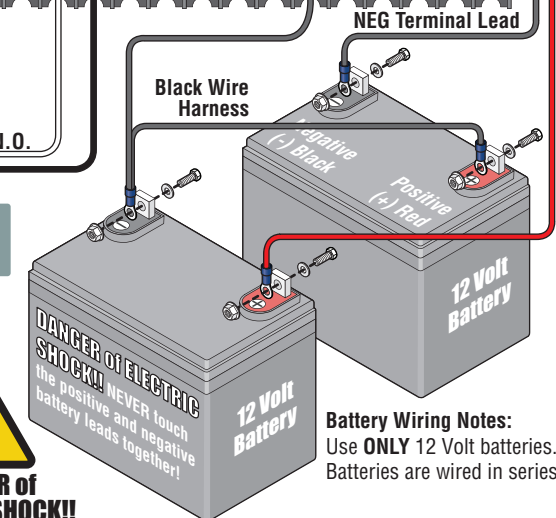
DO NOT power up and cycle the gate operator before the limit sensors and DIP-switches have been adjusted, damage could occur to gate and operator.

Two 12 Volt Batteries

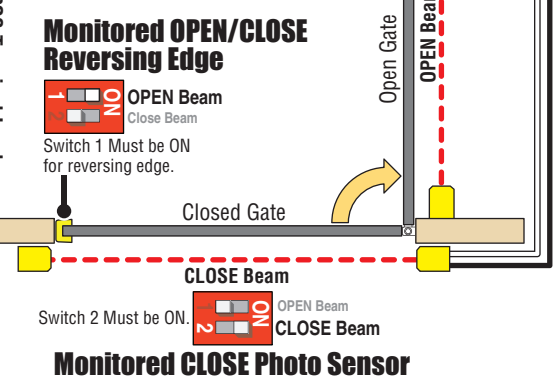
DoorKing Recommends:

12 Volt 18 Amp/Hr batteries: Use for applications with normal usage (60 cycles per day or less).

12 Volt 35 Amp/Hr batteries: Use for applications with higher usage (60 cycles per day or more).



Battery Wiring Notes: Use **ONLY** 12 Volt batteries. Batteries are wired in series.



IMPORTANT: Photo sensors must use **Normally Closed (NC)** contacts with the beam set for light operate (relay activated when beam is not obstructed). Some manufacturer's photo sensor contacts are labeled as **Normally Open (NO)** but their relay functions the same way as described above. See specific manufacturer's wiring manual for more information about their specific relay function.