

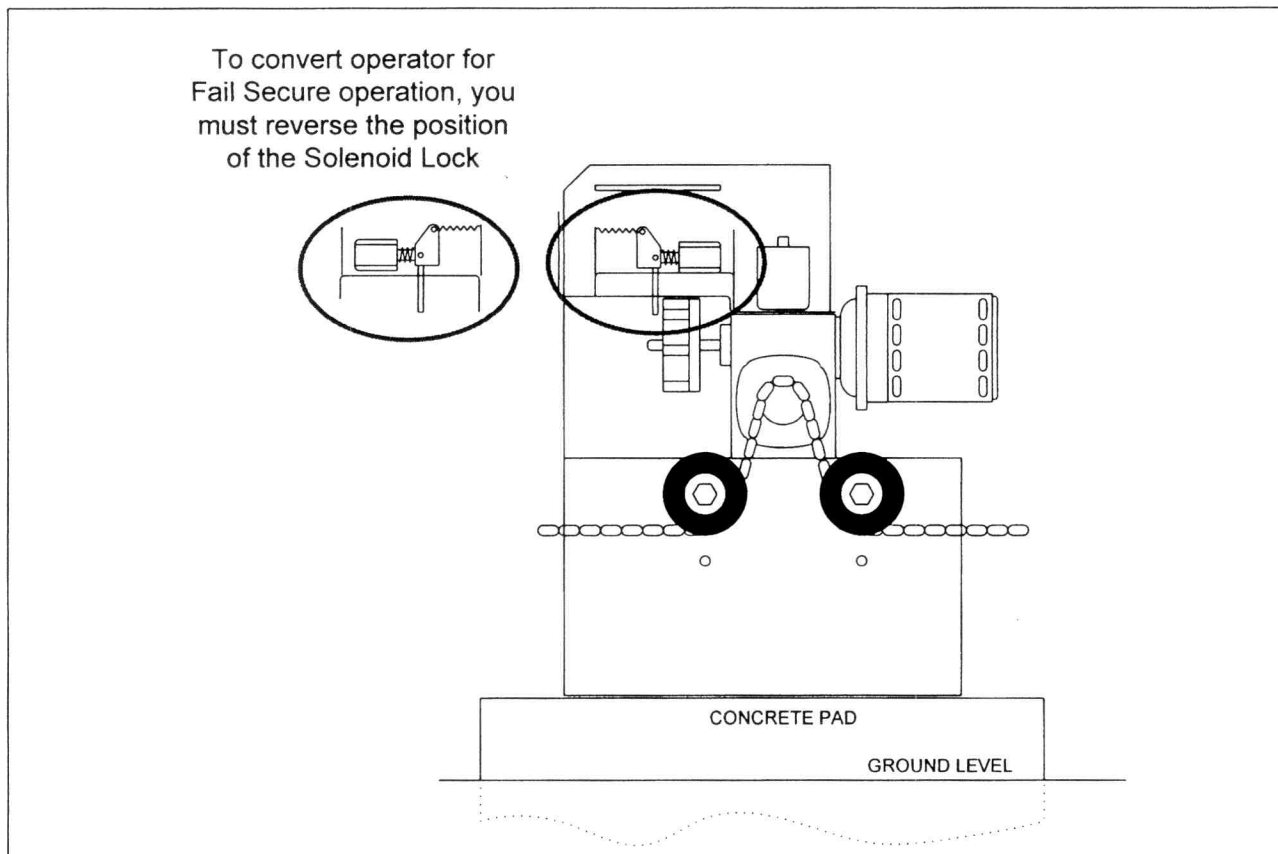
9310 FAIL SECURE FIELD MODIFICATION INSTRUCTIONS

DoorKing model 9310 Series Slide Gate Operators can be ordered in Fail Safe or Fail Secure configurations. The standard configuration is Fail Safe. In this configuration, the gate is Unlocked when power is removed from the operator. To open the gate during a loss of power you can simply push the gate open.

In Fail Secure configuration, the gate is always Locked when power is removed from the operator. To open the gate during a loss of power you will utilize a Manual Keyed Release, which disengages the Solenoid Lock, allowing the gate to be pushed open.

The operator can be field modified to change from Fail Safe to Fail Secure configuration. This requires three modifications to a standard Fail Safe operator:

- ☑ Reposition the Solenoid Lock
- ☑ Install the Manual Keyed Release mechanism
- ☑ Change the control board settings to provide Fail Secure operation

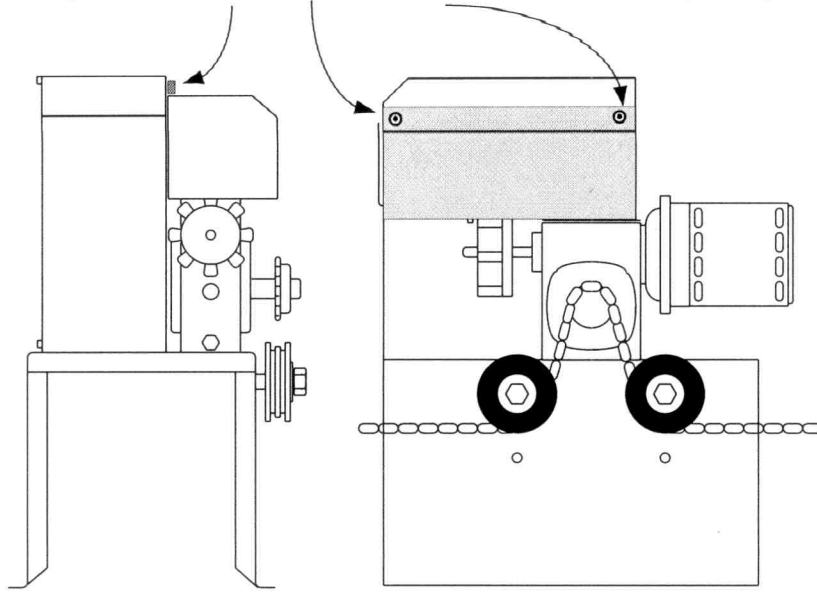


STEP 1:

Step 1: Remove Sheet Metal cover.

1.1: remove 2 nuts at top corners of cover

1.2: pull cover aside. It is not necessary to disconnect any wiring.



Side View

Rear View

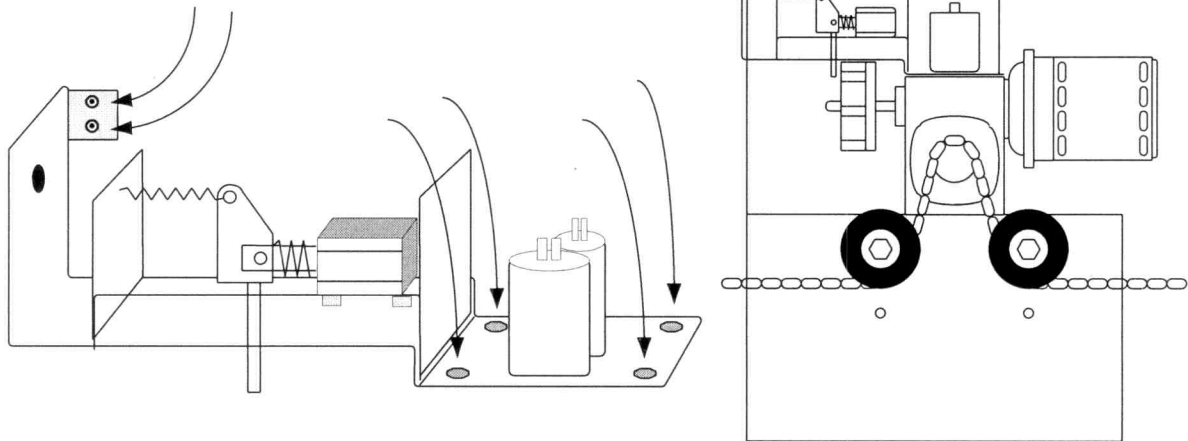
STEP 2:

Note: This step is to gain access to the 2 phillips head screws securing the solenoid assy. If you have a 90 degree phillips screwdriver, you may be able to access these screws without removing this bracket.

Step 2: Loosen Solenoid/Capacitor bracket.

2.1: remove 4 bolts by Capacitors

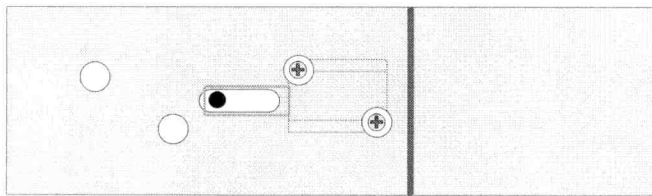
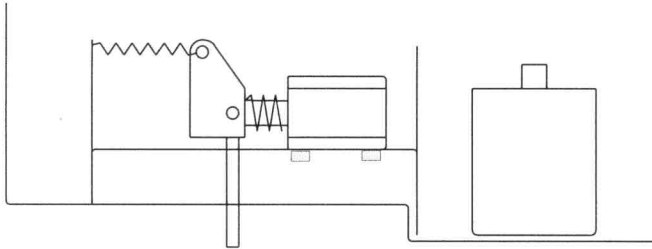
2.2: remove 2 nuts at Top Left tab of bracket



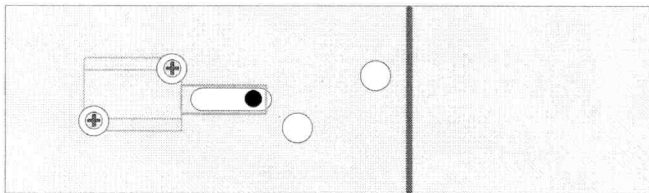
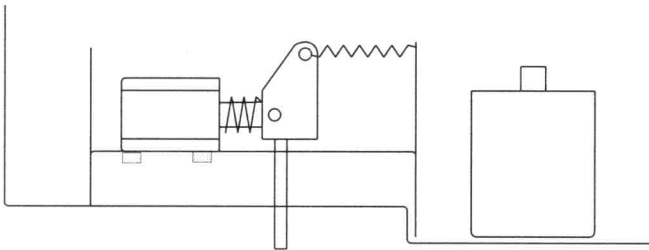
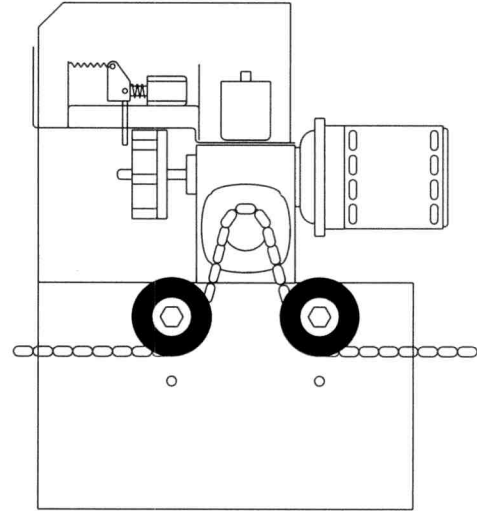
STEP 3:

Step 3: Reverse the position of the Solenoid assy.

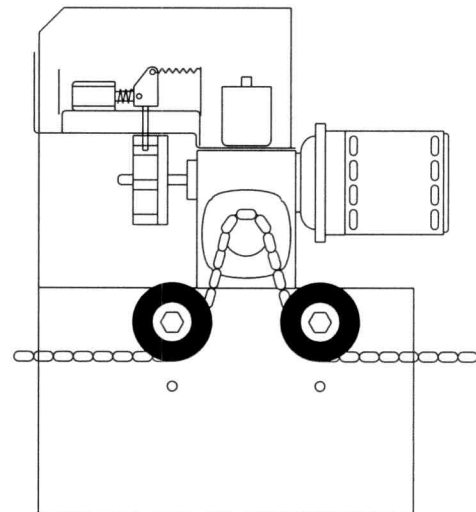
- 3.1: Tilt Bracket and use access holes in bracket to remove the 2 phillips head screws below the solenoid.
- 3.2: remove the spring assy that is attached to locking pin
- 3.3: turn the Solenoid around and remount using the 2 phillips head screws. Reconnect Spring to bracket.



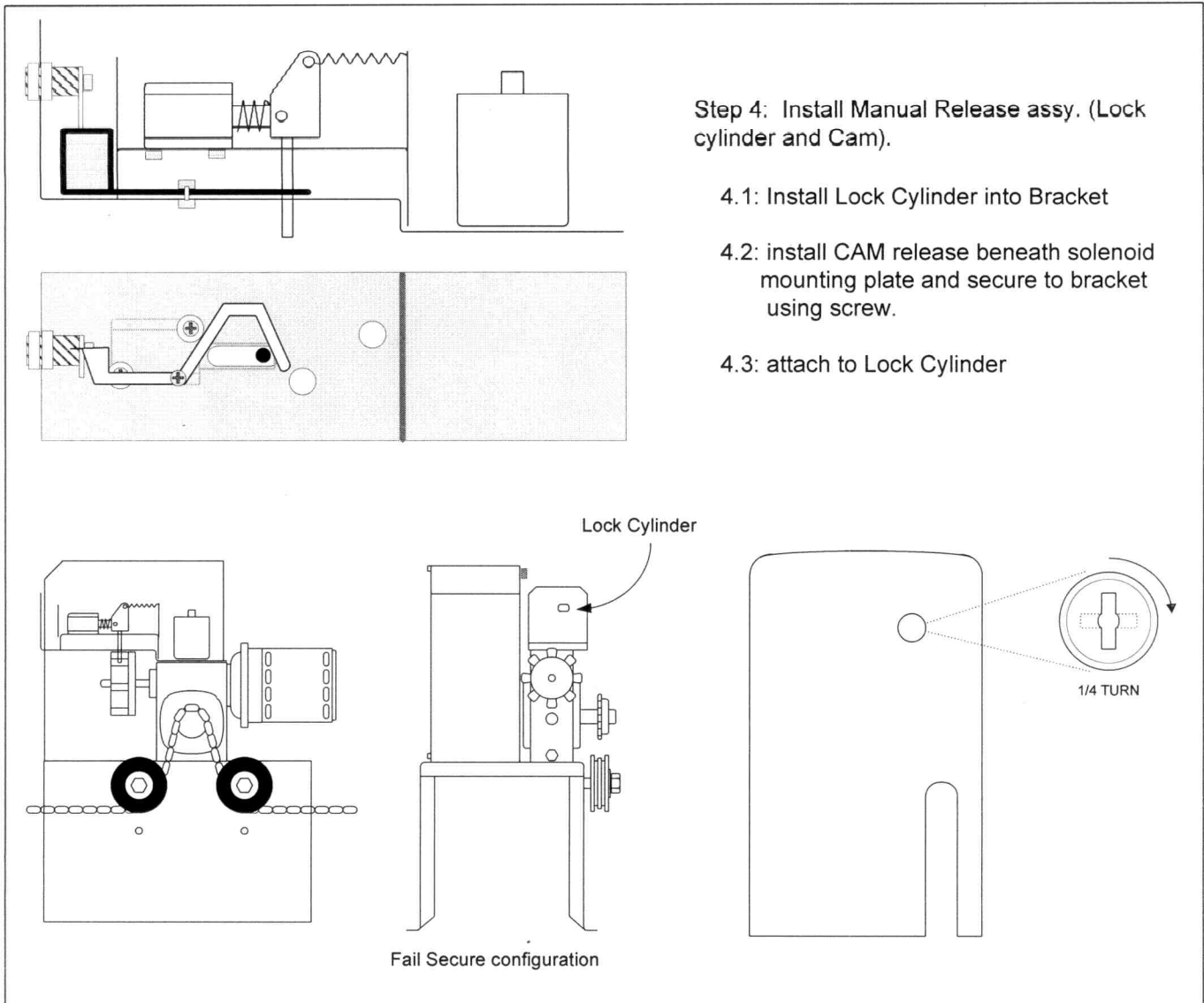
Fail Safe configuration



Fail Secure configuration



STEP 4:



Step 4: Install Manual Release assy. (Lock cylinder and Cam).

4.1: Install Lock Cylinder into Bracket

4.2: install CAM release beneath solenoid mounting plate and secure to bracket using screw.

4.3: attach to Lock Cylinder

STEP 5: VERY IMPORTANT! Change control board switch setting for Fail Secure operation.

- Upper Switch, SW1, switch 6: Set to ON.** This will energize the solenoid when the gate receives an OPEN command, pulling the locking pin away from the locking wheel. **If this switch is not set properly, the lock will stay engaged when the gate tries to open, RESULTING IN DAMAGE TO THE LOCKING SOLENOID.**

Should you have any questions on these updates, please feel free to contact DoorKing Technical Support.

Sincerely,

DoorKing