

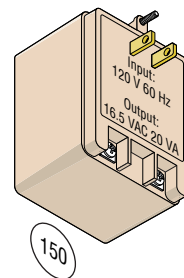
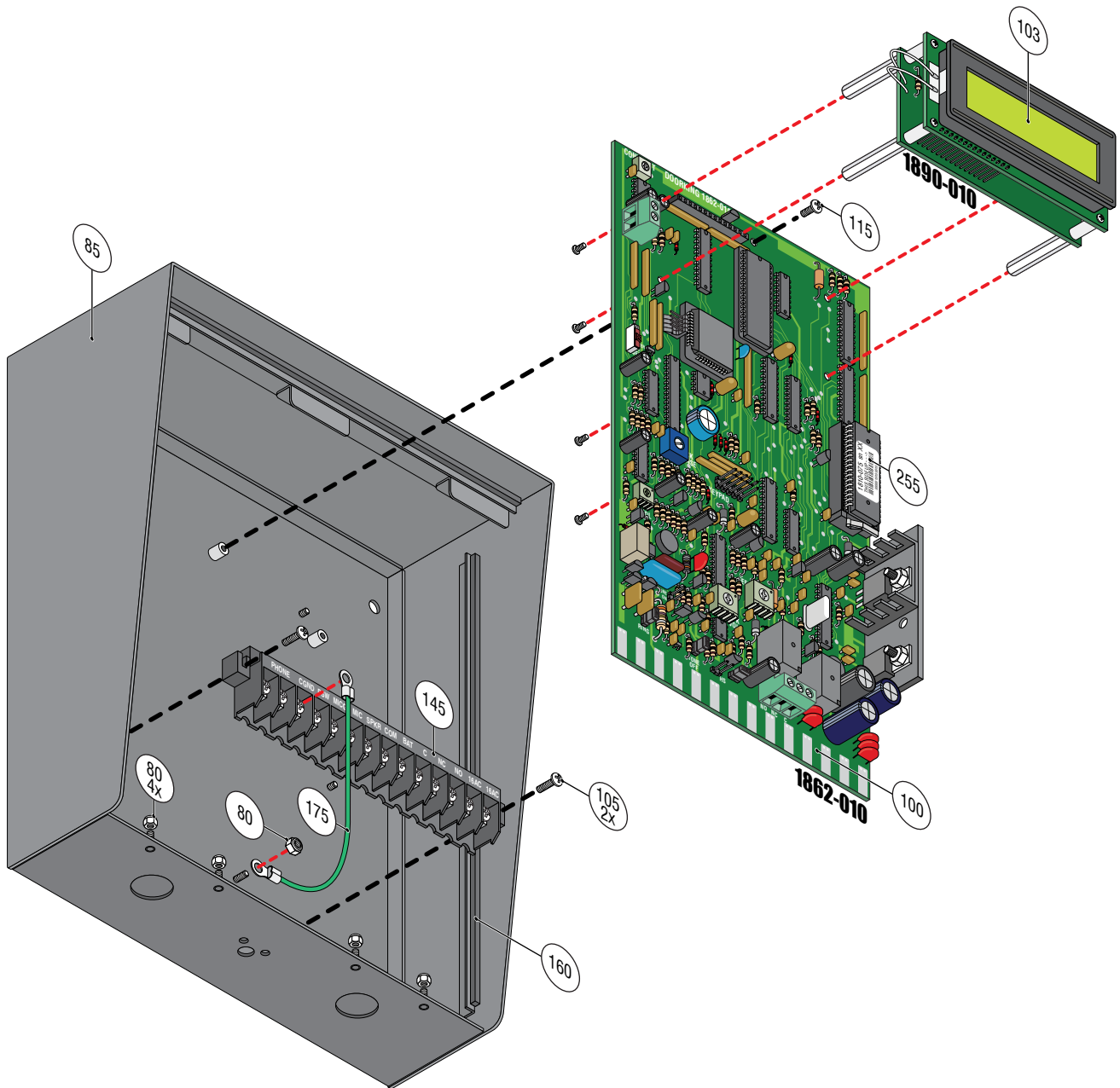
ILLUSTRATED PARTS BREAKDOWN - IPB

Bill of Materials - BOM

1810 Surface Mount
1810-080

Item	Part Number	Quantity	UM	Description
10	1804-004	1	EA	Cover Lexan Clr 3.75 x .85 x .125
15	1804-023	1	EA	Decal FCC
20	2600-735	1	EA	Hole Plug Black Nylon .250" dia.
25	1810-030	1	EA	Bracket Directory Holder
30	1810-007	1	EA	Cover Plastic 1810 Directory
33	1502-005	1	EA	Cover Plastic
35	1810-006	1	EA	Cover Plastic - Large
40	1804-042	1	EA	Hole Plug
45	1400-009	1	EA	Decal Identification
50	1804-039	2	EA	Retaining Strip Keypad
55	2599-008	1	EA	Label Patent
57	1998-190	1	EA	PCB Microphone Short, SMT
60	2356-010	3	EA	PCB LED Light Straight
65	4001-035	1	EA	Lock N16058BDxSFx2K Key 16120
67	1702-501	1	EA	Cam 7/8"
70	2902-006	2	EA	Nut Nylon Lock 10-32
75	2902-002	2	EA (6 USED)	Nut Nylon Lock 4-40
77	1810-145	2	EA (2 Different Brackets)	Bracket LED Mount
80	2902-003	17	EA (26 USED)	Nut Nylon Lock 6-32
85	1810-101	1	EA	Box Phone Slant
86	2620-010	2	EA (NONE USED)	Washer #10 SAE
90	1810-053	1	EA	Faceplate Phone
95	1810-023	1	EA	Subplate Phone
96	2600-734	1	EA	Nameplate Plastic DKS Small
97	2802-040	2	EA	Washer Push on Clamp
98	1897-050	2	EA	Gasket Support Thick 1/16"
100	1862-010	1	EA	PCB Telephone 2 Relay
103	1890-010	1	EA	PCB Display LCD 8 x 1 Line
104	2616-006	2	EA (5 USED + P/N 107)	Screw Phillips Head 6-32 x 3/16"
105	2905-003	2	EA	Screw Round Head 6-32 x 1/2"
108	2900-905	1	EA	Standoff Aluminum 7/16", 6-32
115	2905-001	1	EA	Screw Round Head 6-32 x 1/4"
130	3002-004	2	EA	Spacer Nylon 6 x 7/16"
140	1804-024	1	EA	Switch Micro NO NC C
145	1802-031	1	EA	Terminal 14 Pin
150	1804-060	1	EA	Transformer 16.5 VAC, 20 VA Plug
160	1800-018	2.91	FT	Weather Strip .125"x .187"
175	7082-059	1	EA	Wire - Green 18 AWG Strd
180	1804-040	1	EA	Wire Telephone Line Cord
185	1804-028	1	EA (3 USED)	Mount Wire Clip
195	1895-017	1	EA	Keypad 10 Pin Numbers Header
197	1804-038	1	EA	Wire Ribbon Cable Assy 10 Cond
205	1804-290	1	EA	Speaker Assembly
210	1860-126	4	EA	Washer Nylon Shoulder
211	1860-032	4	EA	Washer Nylon Retaining #6
215	3002-021	4	EA	Spacer Nylon 6 x 3/8"
225	1800-060	1	EA	Manual - Installation
230	2600-884	1	EA	Label E.T.L. Separable
245	1804-196	1	EA	Gasket, Speaker 1/16" Thick
250	1897-053	1	EA	Gasket, Microphone
255	1810-075	1	EA	Memory 1000 Phone Numbers
260	1876-025	1	EA	Ferrite Snap-On Filter Steward
XXA		1	EA	Wire Harness 1810 Surface Front Panel
XXB		2	EA	Mount Wire Tie Wrap

1810 Surface Mount - Enclosure



1810 Surface Mount - Faceplate

