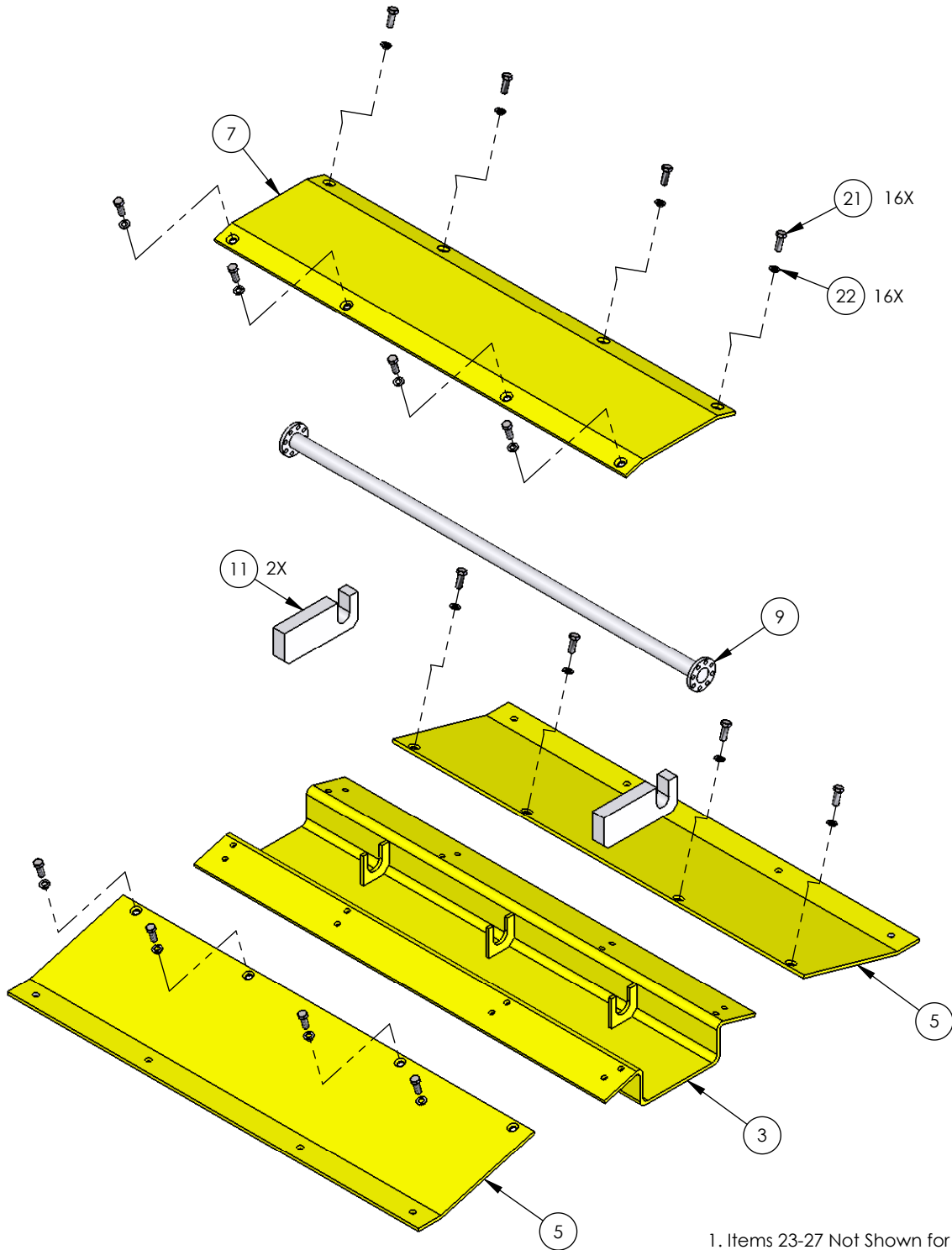


REVISIONS

REV	DESCRIPTION	DATE	APPR
B	Item 11 1603-025 Qty 2 Was: 4	Sal 11/25/08	D.C. 11/25/08
C	Changed Socket Head Countersunk Bolts to Hex Head Bolt and Lock Washer	10/4/10	D.C.



1. Items 23-27 Not Shown for Clarity.

Notes: Unless Otherwise Specified.

Item	Part Number	Qty	UM	Description
3	1603-110	1	EA	Short Channel Surface 1603
5	1603-115	2	EA	Ramp Short 1603
7	1603-113	1	EA	Cover Channel Short 1603
9	1603-016	1	EA	Shaft Assembly 36"
11	1603-025	2	EA	Bearing Support Block
21	2615-070	16	EA	Bolt Hex Head 3/8-16x1 SS
22	2620-055	16	EA	Washer Split Lock 3/8" SS
23	2615-004	4	EA	Bolt Hex Head SS 1/4-20 1"
25	2620-404	4	EA	Nut Hex 1/4-20 SS

**PROPRIETARY AND CONFIDENTIAL**  
 THE INFORMATION CONTAINED IN THIS DRAWING IS THE  
 SOLE PROPERTY OF Door King.  
 ANY REPRODUCTION IN PART OR AS A WHOLE WITHOUT  
 THE WRITTEN PERMISSION OF Door King IS PROHIBITED.



Parking Spike Surface Mount 3ft

SIZE <b>A</b>	DWG <b>1603-193</b>	REV <b>C</b>
SCALE: 1:24	SHEET 1 of 1	