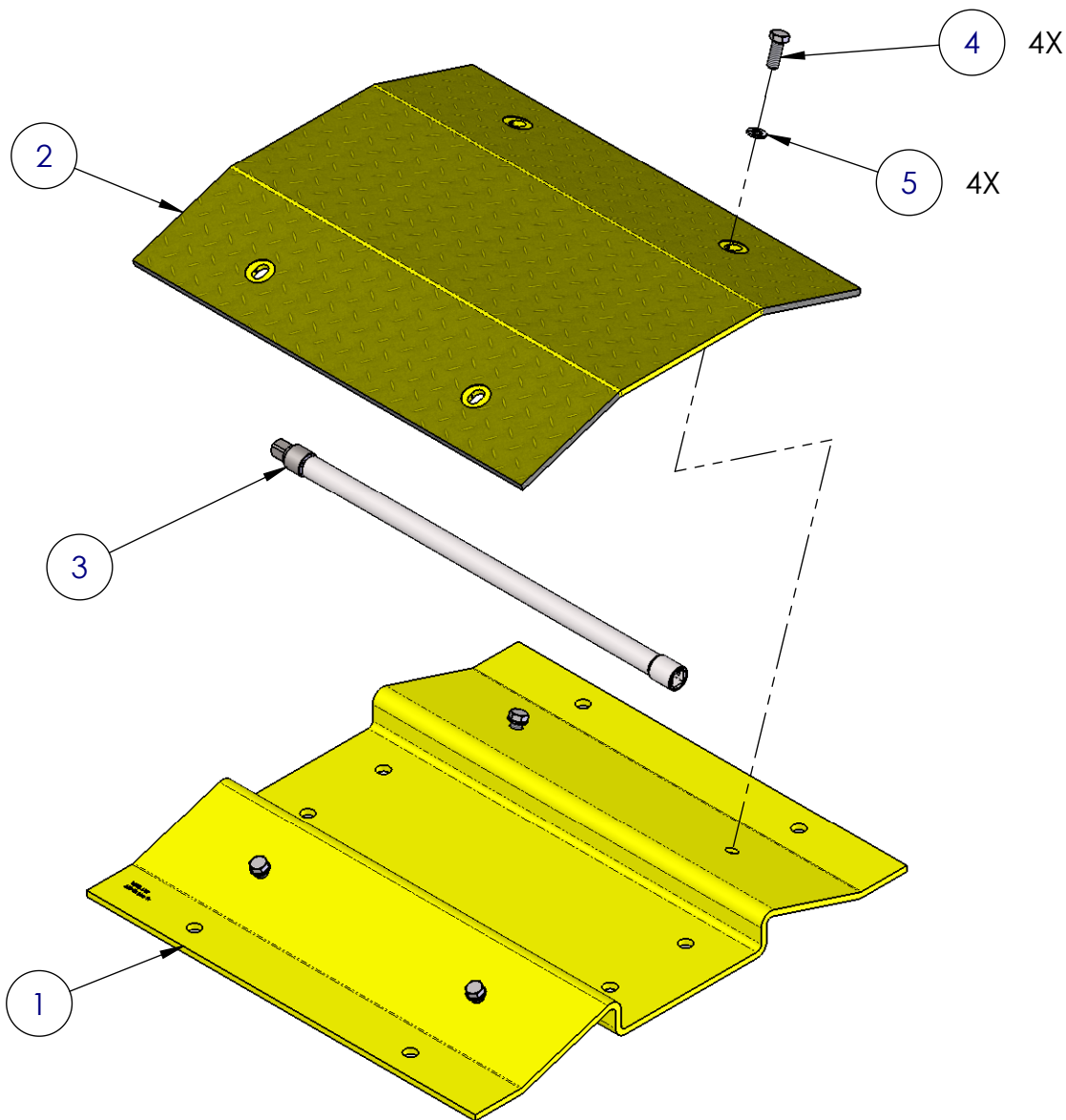


REVISIONS

ZONE	REV.	DESCRIPTION	DATE	APPROVED
	A	New Drawing	10/12/2013	DC



NOTE: NOT DESIGNED TO ATTACH TO OPERATOR, TO BE USED AS A SPACER BETWEEN SPIKE UNITS

ITEM	PART NUMBER	DESCRIPTION	QTY
1	1603-152	Channel 1 1-2ft Extension	1
2	1603-136	Slotted Tread Plate Yellow	1
3	1603-143	Extension Shaft 1 1-2ft Assy	1
4	2615-070	18-8 Stainless Steel Bolt Hex 3-8-16x1	4
5	2620-055	Washer Split 3-8-16 SS	4

1. Notes: Unless Otherwise Specified.

**PROPRIETARY AND CONFIDENTIAL**  
 THE INFORMATION CONTAINED IN THIS DRAWING IS THE SOLE PROPERTY OF DOORKING. ANY REPRODUCTION IN PART OR AS A WHOLE WITHOUT THE WRITTEN PERMISSION OF DOORKING IS PROHIBITED.

[www.doorking.com](http://www.doorking.com)

**IPB- Extension 1 1/2ft Assembly Spacer Model 1603-170**

SIZE **A** DWG. NO. **1603-870** REV. **A**

Scale: None SHEET 1 OF 1