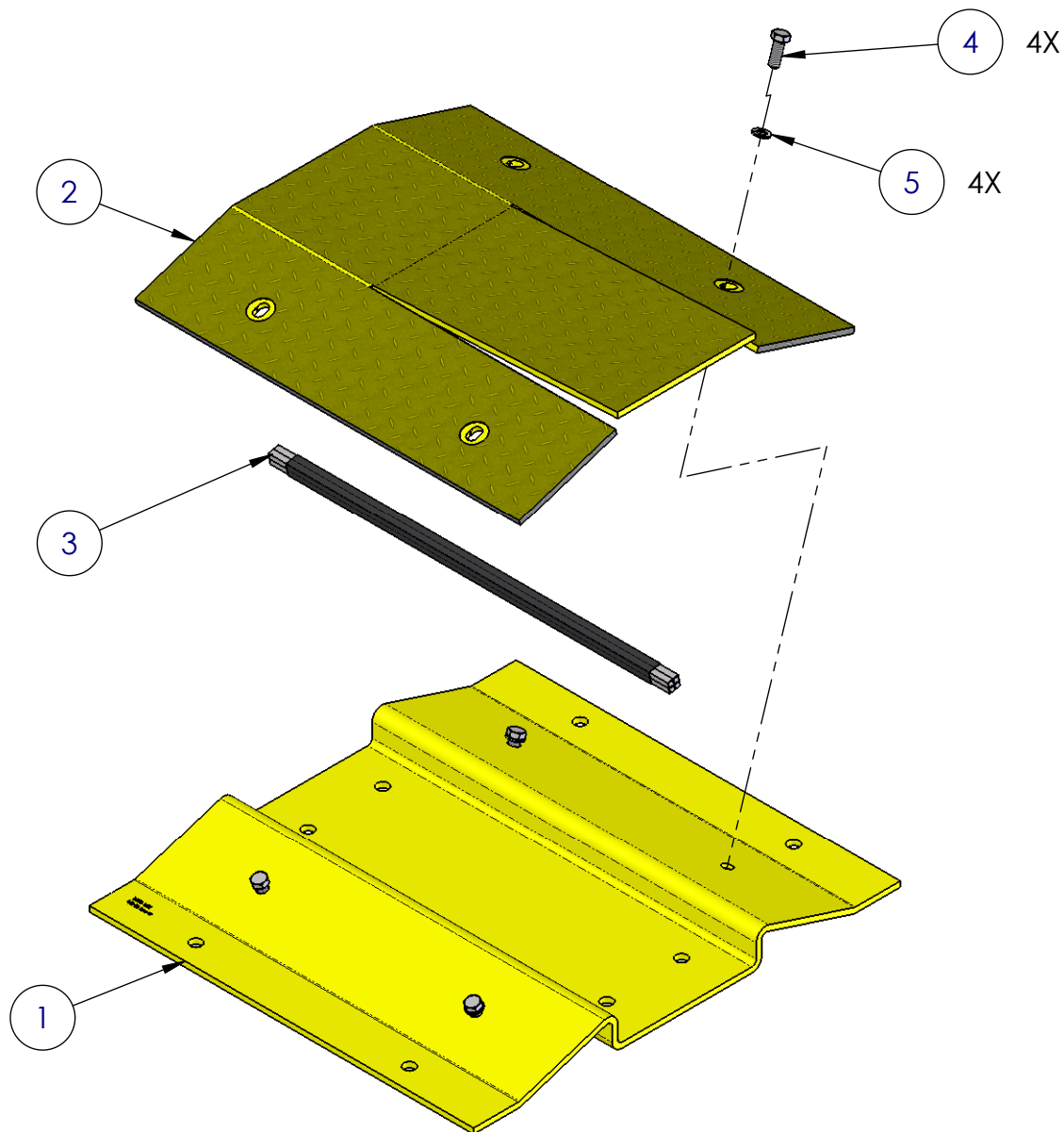


REVISIONS

ZONE	REV.	DESCRIPTION	DATE	APPROVED
	A	New Drawing	10/12/2013	DC



ITEM	PART NUMBER	DESCRIPTION	QTY
1	1603-152	Channel 1 1-2ft Extension	1
2	1603-137	Slotted Tread Plate Yellow	1
3	1603-148	Torsion Shaft 1 1-2ft Assy	1
4	2615-070	18-8 Stainless Steel Bolt Hex 3-8-16x1	4
5	2620-055	Washer Split 3-8-16 SS	4

1.

Notes: Unless Otherwise Specified.

PROPRIETARY AND CONFIDENTIAL

THE INFORMATION CONTAINED IN THIS DRAWING IS THE SOLE PROPERTY OF DOORKING. ANY REPRODUCTION IN PART OR AS A WHOLE WITHOUT THE WRITTEN PERMISSION OF DOORKING IS PROHIBITED.

www.doorking.com

IPB-Drive Side Extension 1 1/2ft Assembly Model 1603-168

SIZE A	DWG. NO. 1603-868	REV. A
Scale: None		SHEET 1 OF 1