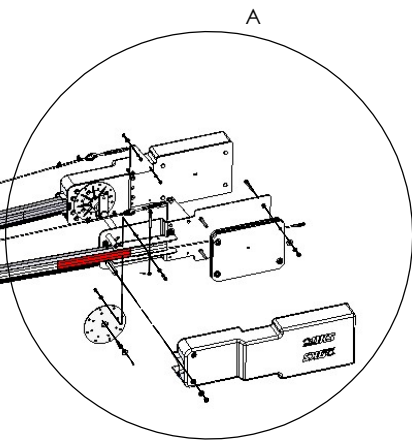
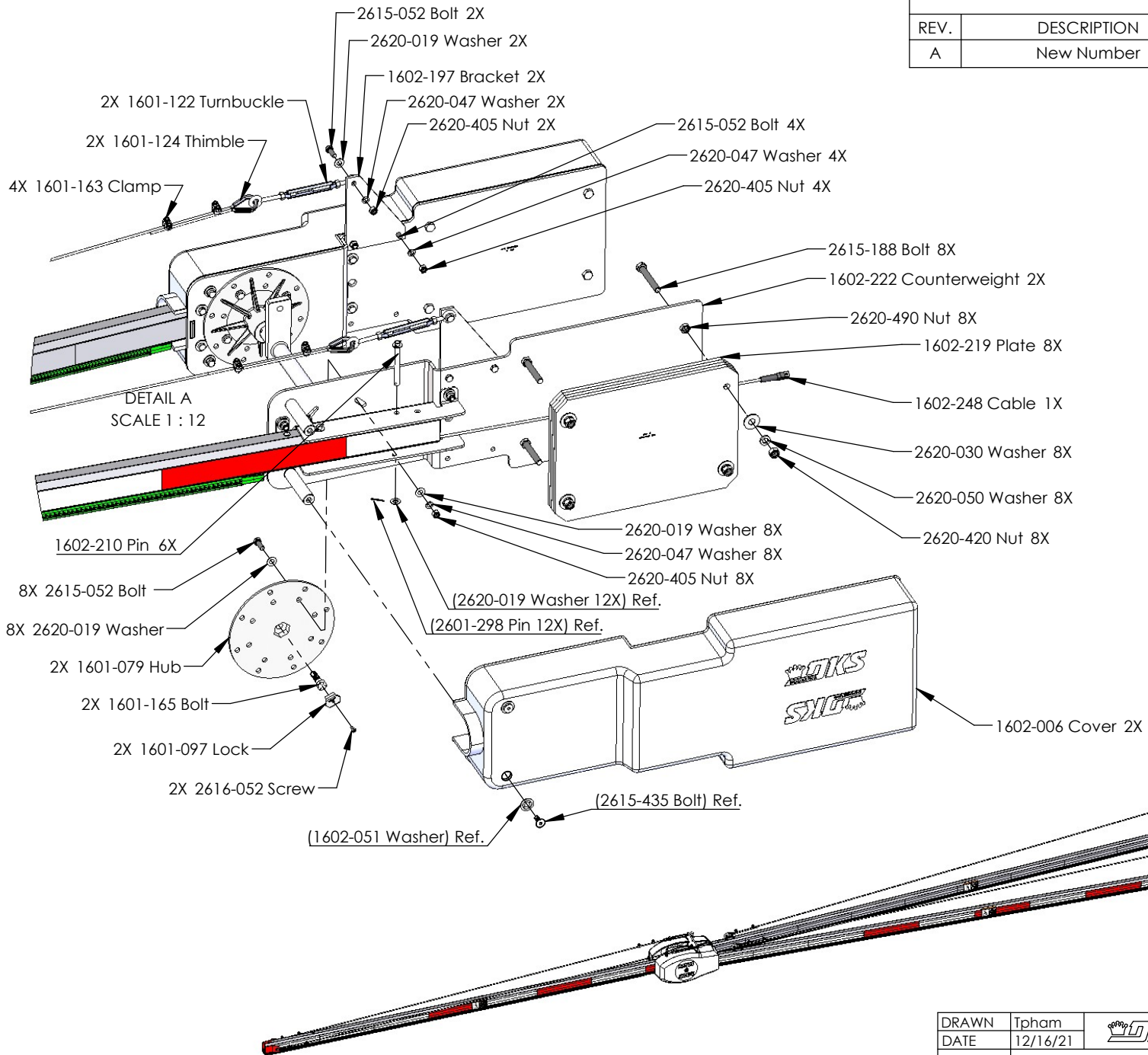


REVISIONS

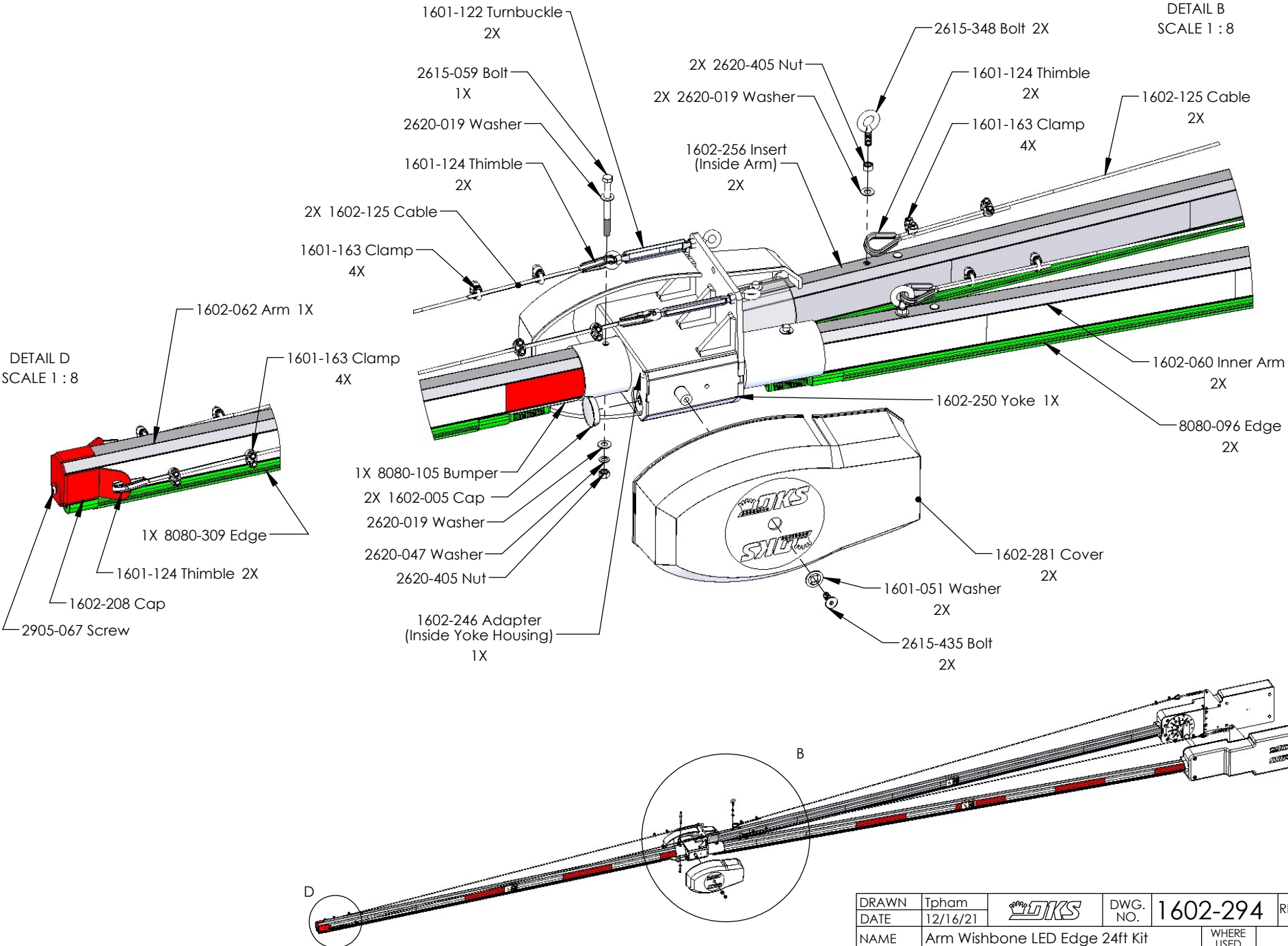
REV.	DESCRIPTION	DATE	APPROVED
A	New Number	12/10/2021	Tpham



DRAWN	Tpham		DWG. NO.	1602-294	REV.	A
DATE	12/16/21		WHERE USED			
NAME			Arm Wishbone LED Edge 24ft Kit			
<small>PROPRIETARY & CONFIDENTIAL: The information contained in this drawing is the sole property of DoorKing, Inc. Any reproduction in part or as a whole without written permission of DoorKing, Inc. is prohibited.</small>						
DO NOT SCALE TO DRAWING		SHEET SIZE	A	SCALE: 1:100	SHEET 1 OF 3	

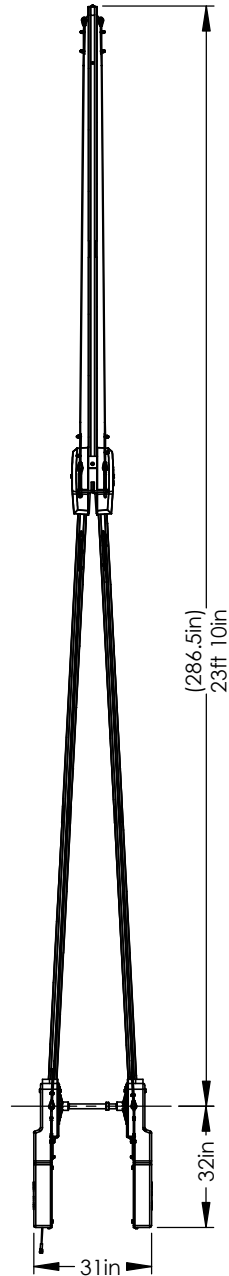
DETAIL B
SCALE 1 : 8

DETAIL D
SCALE 1 : 8

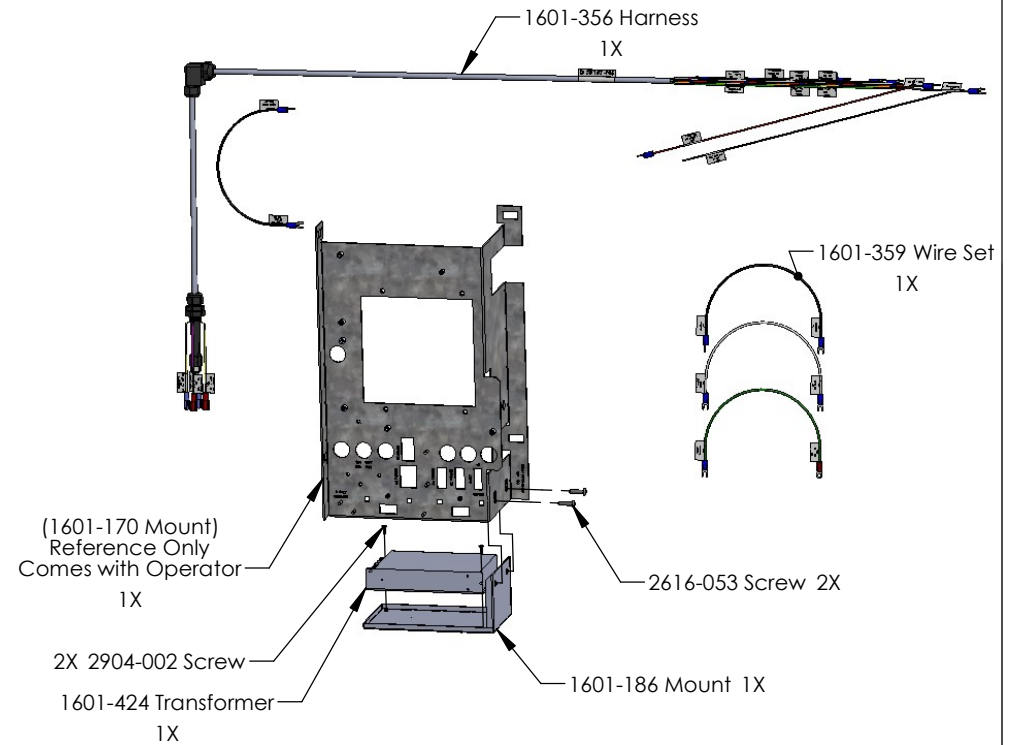


DRAWN	Tpham		DWG. NO.	1602-294	REV.	A
DATE	12/16/21		NAME	Arm Wishbone LED Edge 24ft Kit	WHERE USED	
<p>PROPRIETARY & CONFIDENTIAL: The information contained in this drawing is the sole property of Doorking, Inc. Any reproduction in part or as a whole without written permission of Doorking, Inc. is prohibited.</p>						
DO NOT SCALE TO DRAWING			SHEET SIZE	A	SCALE: 1:100	SHEET 2 OF 3

PartNo	Description	QTY.
1601-079	Hub Die Cast Painted	2
1601-097	Hub Bolt Lock Washer	2
1601-122	Turnbuckle Stainless	4
1601-124	Thimble Eye Bare End	8
1601-163	Cable Clamp 1/8 Dia Rope	16
1601-165	Bolt Hex Head 1/2-13 x 1.75	2
1602-005	Cap White for 1 3/4" ID	2
1602-006	Cover Plastic Weight Counter Assy	2
1602-051	Washer Nylon 1.125ODx.468IDx0.072Th	2
1602-060	Octagon Wishbone Inner Arm	2
1602-062	Wishbone Outer Arm 24FT	1
1602-125	Cable Wishbone	4
1602-149	Manual Wishbone Arms	1
1602-197	Bracket Cable Mount	2
1602-208	Metal Cap 1602 Wishbone Red	1
1602-210	Pin UHMW Assy	6
1602-219	Plate Counterweight 20lbs	8
1602-222	Counterweight Plate Assy	2
1602-246	Harness Adapter 3 to 1	1
1602-248	Harness Long Adapter	1
1602-250	Wishbone Yoke Connector	1
1602-256	Eye Bolt Insert Support	2
1602-281	Cover 1602 Wishbone	2
1602-294IPB	Arm Wishbone LED Edge 24ft Kit	1
2615-052	Bolt Hex 3/8-16 x 1.0	14
2615-059	Bolt Hex 3/8-16 x 4.0	1
2615-188	Bolt Hex 1/2-13 x 3.5	8
2615-348	Eye Bolt 3/8-16 x 1 inch Zinc Plated	2
2615-435	Bolt Flat Head Hex 3-8-16x1.0 SS	2
2616-052	Screw 10-32 x 1/2 Phillips Head	2
2620-019	Washer 3/8 ID SAE	22
2620-030	Washer 1/2 ID USS	8
2620-047	Washer Split 3/8-16	15
2620-050	Washer Split 1/2	8
2620-405	Nut 3/8-16	17
2620-420	Nut 1/2-13 Hex	8
2620-490	Nut Jam 1/2-13	8
2905-067	Screw 1/4-20 x 0.75 Pan Head Phillips	1
8080-096	Reverse Edge LED 13FT	2
8080-105	Rubber Bumper 5.0" White	1
8080-309	Lighted Reverse Edge 9FT	1



PartNo	Description	QTY.
1601-186	Transformer Mount	1
1601-356	Wire Harness Lighted Arms	1
1601-359	Wire Set for 8.5-12.5A Transformers	1
1601-424	1601-424 Transformer 12.5Amp	1
2616-053	Screw 10-32 x 3/4	2
2904-002	Screw Round Head 4-40x3/8	2



DRAWN	Tpham		DWG. NO.	1602-294	REV.	A
DATE	12/16/21		WHERE USED			
NAME	Arm Wishbone LED Edge 24ft Kit					
PROPRIETARY & CONFIDENTIAL: The information contained in this drawing is the sole property of DoorKing, Inc. Any reproduction in part or as a whole without written permission of DoorKing, Inc. is prohibited.						
DO NOT SCALE TO DRAWING		SHEET SIZE	A	SCALE: 1:100	SHEET 3 OF 3	