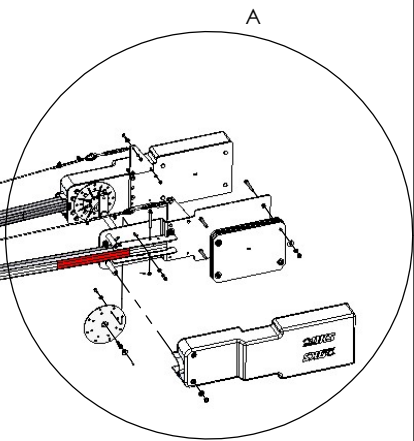
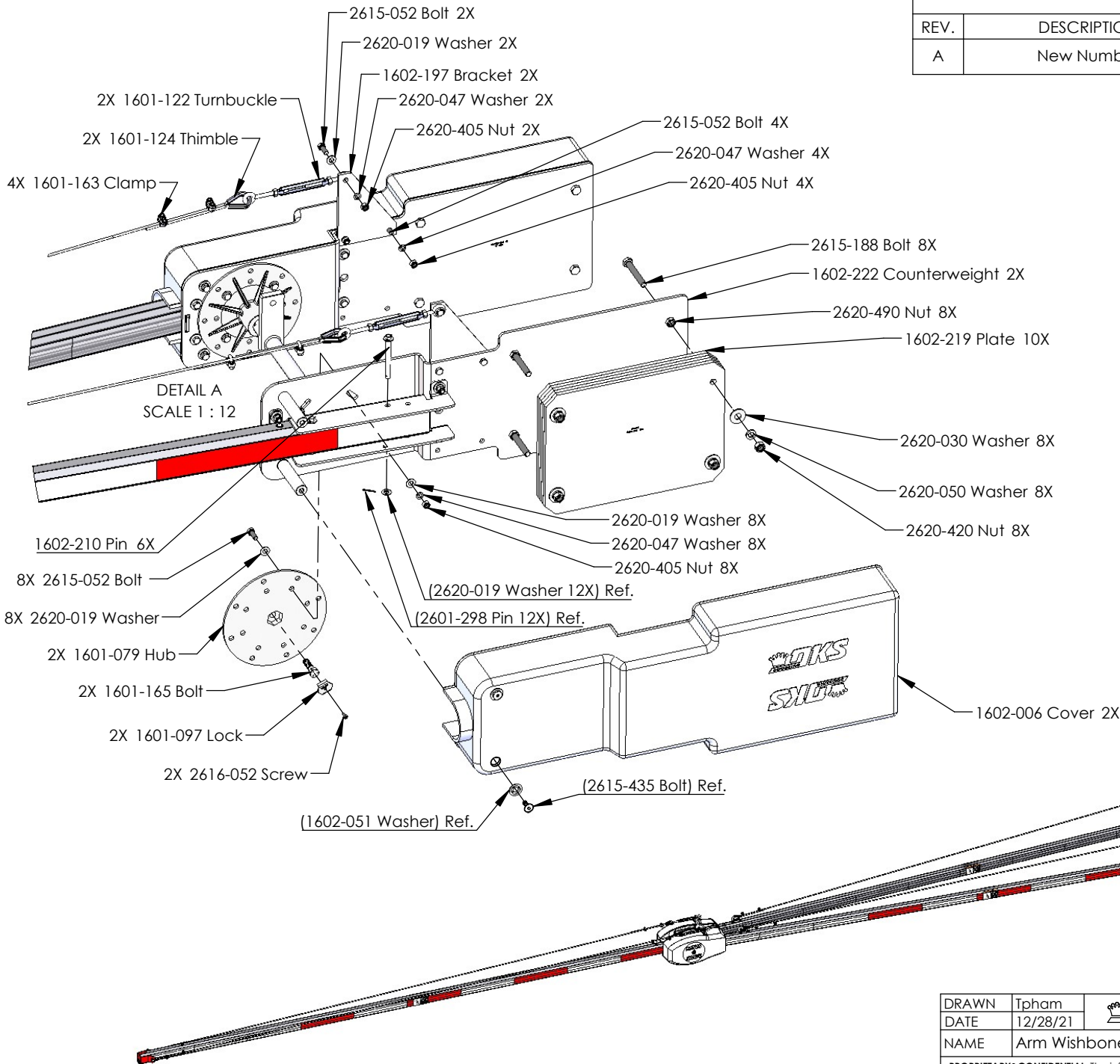
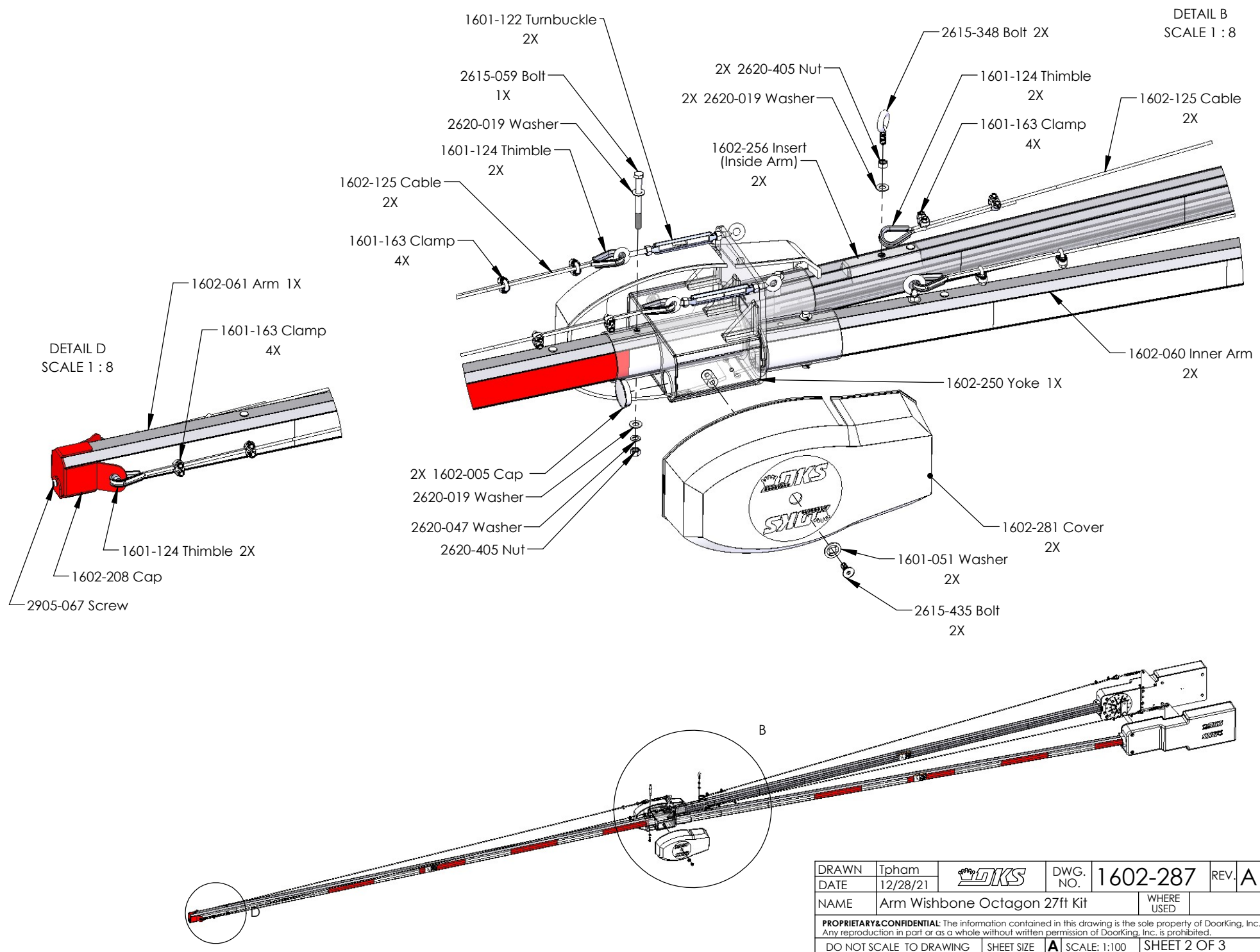


| REVISIONS | | | |
|-----------|-------------|------------|----------|
| REV. | DESCRIPTION | DATE | APPROVED |
| A | New Number | 12/27/2021 | Tpham |



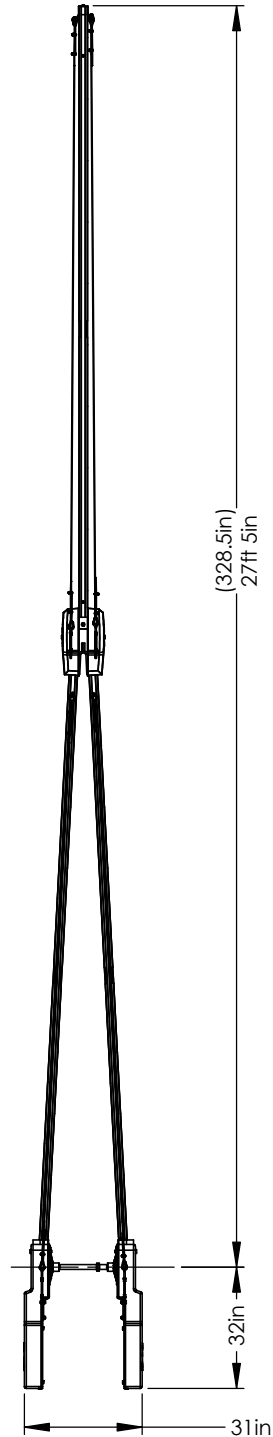
| | | | | | | |
|--|-------------------------------|------------|------------|--------------|--------------|---|
| DRAWN | Tpham | | DWG. NO. | 1602-287 | REV. | A |
| DATE | 12/28/21 | | WHERE USED | | | |
| NAME | Arm Wishbone Octagon 27ft Kit | | | | | |
| PROPRIETARY & CONFIDENTIAL: The information contained in this drawing is the sole property of DoorKing, Inc. Any reproduction in part or as a whole without written permission of DoorKing, Inc. is prohibited. | | | | | | |
| DO NOT SCALE TO DRAWING | | SHEET SIZE | A | SCALE: 1:100 | SHEET 1 OF 3 | |


DETAIL B
SCALE 1 : 8



| | | | | | | |
|---|----------|--|------------|-------------------------------|--------------|--------------|
| DRAWN | Tpham | | DWG. NO. | 1602-287 | REV. | A |
| DATE | 12/28/21 | | NAME | Arm Wishbone Octagon 27ft Kit | WHERE USED | |
| <p>PROPRIETARY & CONFIDENTIAL: The information contained in this drawing is the sole property of Doorking, Inc. Any reproduction in part or as a whole without written permission of Doorking, Inc. is prohibited.</p> | | | | | | |
| DO NOT SCALE TO DRAWING | | | SHEET SIZE | A | SCALE: 1:100 | SHEET 2 OF 3 |

| PartNo | Description | QTY. |
|-------------|---------------------------------------|------|
| 1601-079 | Hub Die Cast Painted | 2 |
| 1601-097 | Hub Bolt Lock Washer | 2 |
| 1601-122 | Turnbuckle Stainless | 4 |
| 1601-124 | Thimble Eye Bare End | 8 |
| 1601-163 | Cable Clamp 1/8 Dia Rope | 16 |
| 1601-165 | Bolt Hex Head 1/2-13 x 1.75 | 2 |
| 1602-005 | Cap White for 1 3/4" ID | 2 |
| 1602-006 | Cover Plastic Weight Counter Assy | 2 |
| 1602-051 | Washer Nylon 1.125ODx.468IDx0.072Th | 2 |
| 1602-060 | Octagon Wishbone Inner Arm | 2 |
| 1602-061 | Wishbone Outer Arm 27FT | 1 |
| 1602-125 | Cable Wishbone | 4 |
| 1602-149 | Manual Wishbone Arms | 1 |
| 1602-197 | Bracket Cable Mount | 2 |
| 1602-208 | Metal Cap 1602 Wishbone Red | 1 |
| 1602-210 | Pin UHMW Assy | 6 |
| 1602-219 | Plate Counterweight 20lbs | 10 |
| 1602-222 | Counterweight Plate Assy | 2 |
| 1602-250 | Wishbone Yoke Connector | 1 |
| 1602-256 | Eye Bolt Insert Support | 2 |
| 1602-281 | Cover 1602 Wishbone | 2 |
| 1602-287IPB | Arm Wishbone Octagon 27ft kit | 1 |
| 2615-052 | Bolt Hex 3/8-16 x 1.0 | 14 |
| 2615-059 | Bolt Hex 3/8-16 x 4.0 | 1 |
| 2615-188 | Bolt Hex 1/2-13 x 3.5 | 8 |
| 2615-348 | Eye Bolt 3/8-16 x 1 inch Zinc Plated | 2 |
| 2615-435 | Bolt Flat Head Hex 3-8-16x1.0 SS | 2 |
| 2616-052 | Screw 10-32 x 1/2 Phillips Head | 2 |
| 2620-019 | Washer 3/8 ID SAE | 22 |
| 2620-030 | Washer 1/2 ID USS | 8 |
| 2620-047 | Washer Split 3/8-16 | 15 |
| 2620-050 | Washer Split 1/2 | 8 |
| 2620-405 | Nut 3/8-16 | 17 |
| 2620-420 | Nut 1/ 2-13 Hex | 8 |
| 2620-490 | Nut Jam 1/2-13 | 8 |
| 2905-067 | Screw 1/4-20 x 0.75 Pan Head Phillips | 1 |



| | | | | | | |
|--|------------|---|--------------|-------------------------------|------------|---|
| DRAWN | Tpham |  | DWG. NO. | 1602-287 | REV. | A |
| DATE | 12/28/21 | | NAME | Arm Wishbone Octagon 27ft Kit | WHERE USED | |
| PROPRIETARY & CONFIDENTIAL: The information contained in this drawing is the sole property of DoorKing, Inc. Any reproduction in part or as a whole without written permission of DoorKing, Inc. is prohibited. | | | | | | |
| DO NOT SCALE TO DRAWING | SHEET SIZE | A | SCALE: 1:100 | SHEET 3 OF 3 | | |