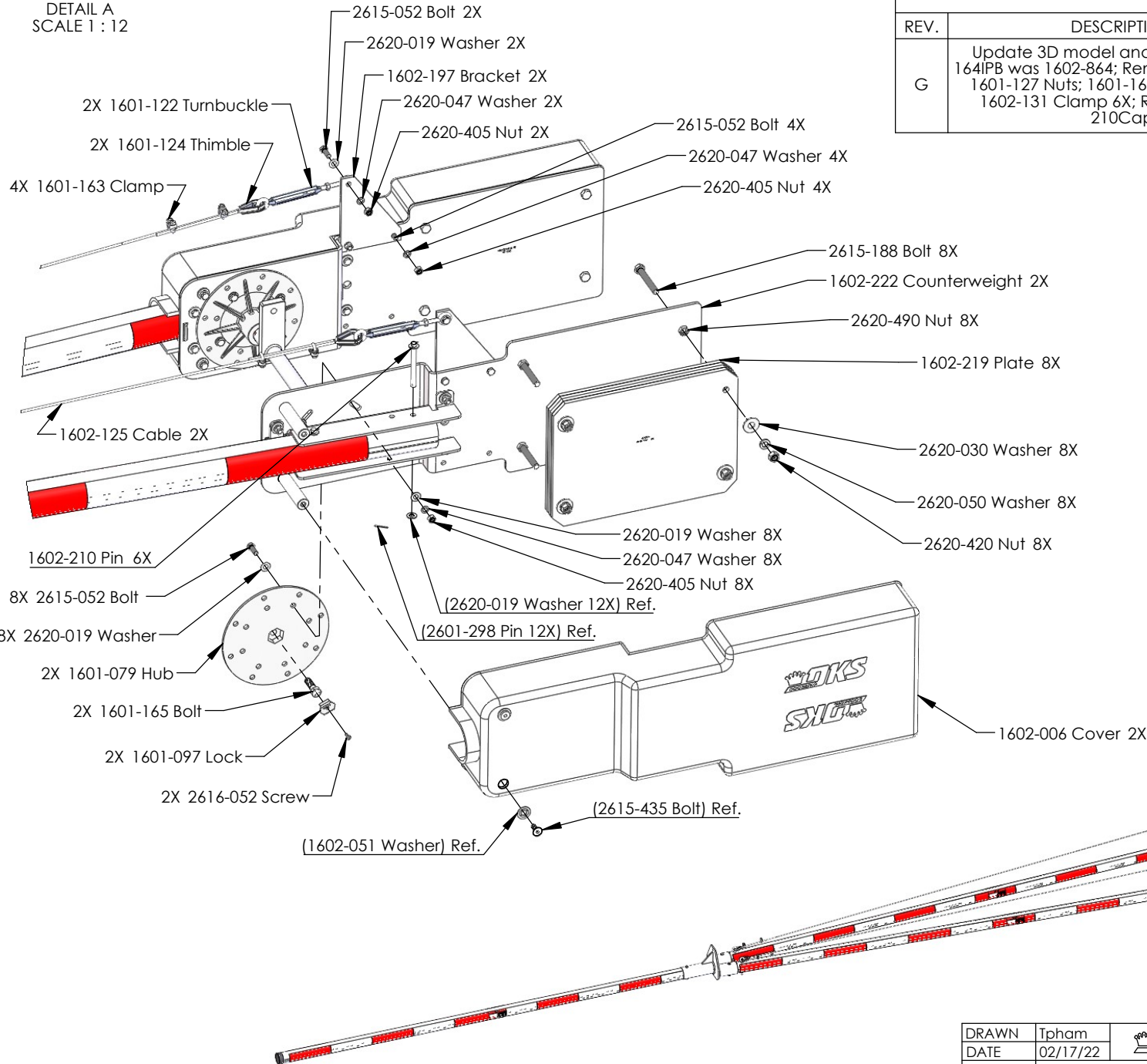
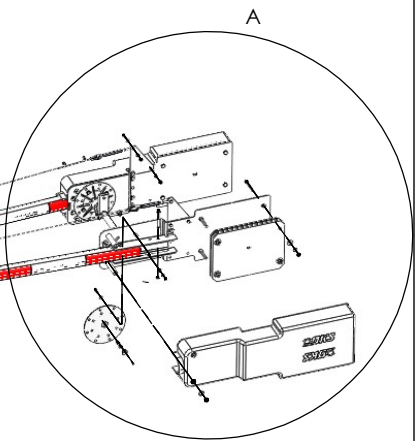


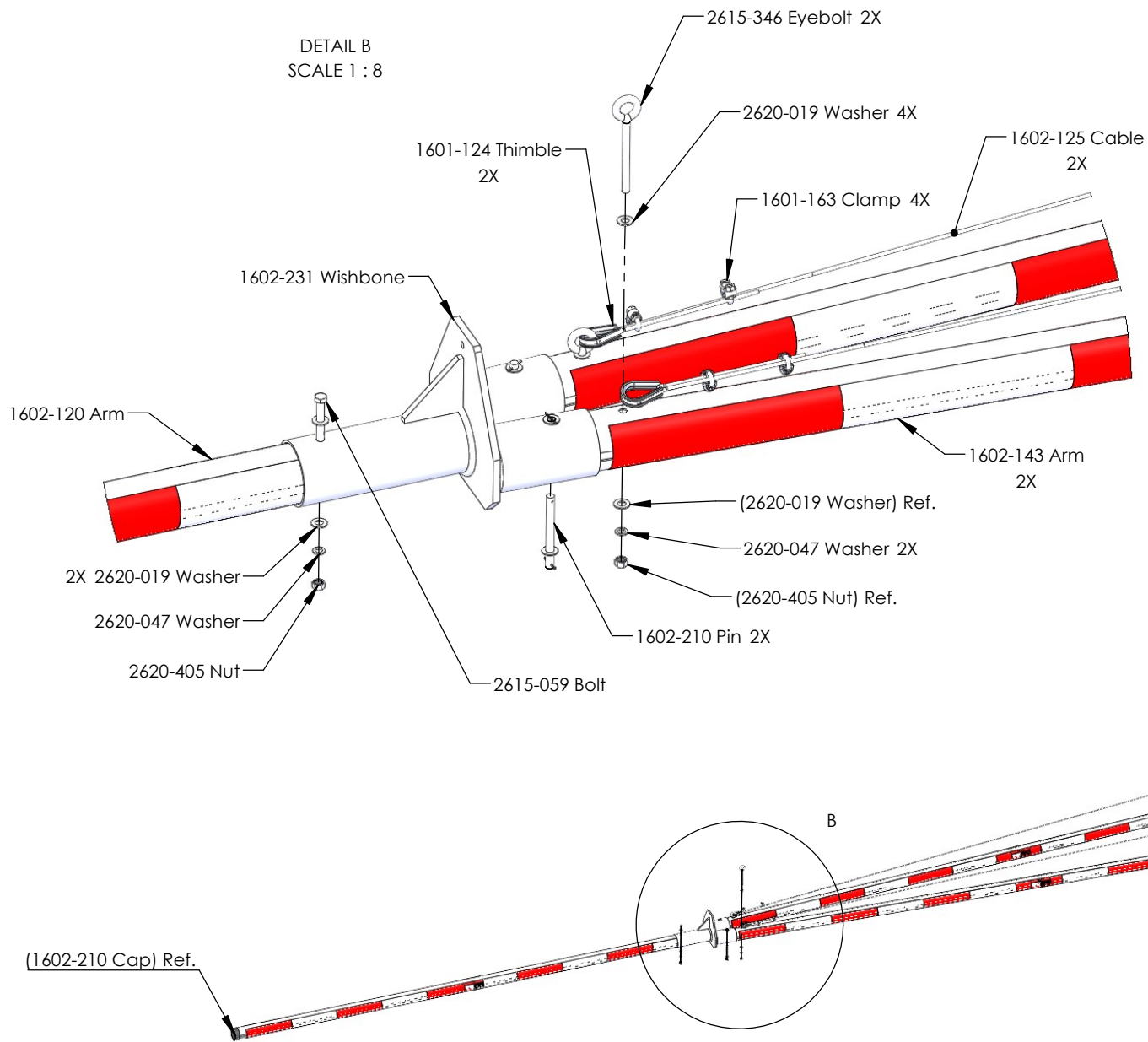
DETAIL A
SCALE 1 : 12



REVISIONS			
REV.	DESCRIPTION	DATE	APPROVED
G	Update 3D model and drawing: 1602-164IPB was 1602-864; Removed 1601-126 & 1601-127 Nuts; 1601-163 Clamp 8X was 1602-131 Clamp 6X; Removed 1601-210Cap	2/23/2022	Tpham

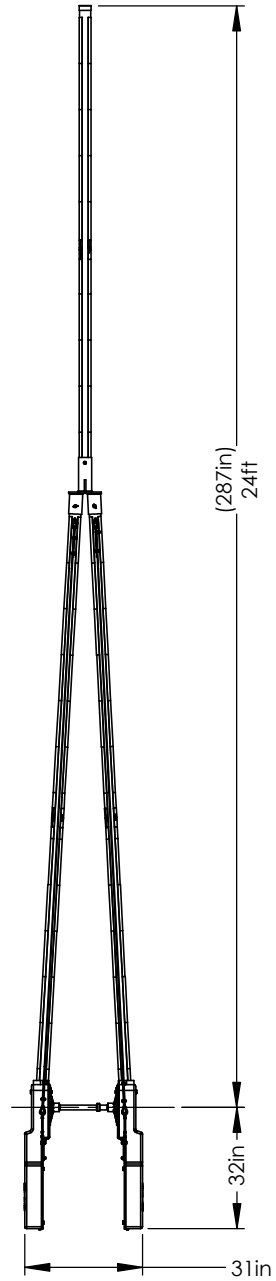



DRAWN	Tpham		DWG. NO.	1602-164	REV.	G
DATE	02/17/22		NAME	Arm Wishbone Round 24ft Kit	WHERE USED	
<small>PROPRIETARY & CONFIDENTIAL: The information contained in this drawing is the sole property of DoorKing, Inc. Any reproduction in part or as a whole without written permission of DoorKing, Inc. is prohibited.</small>						
DO NOT SCALE TO DRAWING		SHEET SIZE	A	SCALE: 1:100	SHEET 1 OF 3	



DRAWN	Tpham		DWG. NO.	1602-164	REV.	G
DATE	02/17/22		NAME	Arm Wishbone Round 24ft Kit	WHERE USED	
<p>PROPRIETARY & CONFIDENTIAL: The information contained in this drawing is the sole property of DoorKing, Inc. Any reproduction in part or as a whole without written permission of DoorKing, Inc. is prohibited.</p>						
DO NOT SCALE TO DRAWING		SHEET SIZE	A	SCALE: 1:100	SHEET 2 OF 3	

PartNo	Description	QTY.
1601-079	Hub Die Cast Painted	2
1601-097	Hub Bolt Lock Washer	2
1601-122	Turnbuckle Stainless	2
1601-124	Thimble Eye Bare End	4
1601-163	Cable Clamp 1/8 Dia Rope	8
1601-165	Bolt Hex Head 1/2-13 x 1.75	2
1602-006	Cover Plastic Weight Counter Assy	2
1602-120	Arm Alum 10.5ft	1
1602-125	Cable Stainless Steel	2
1602-143	Arm Wishbone Round 14ft	2
1602-149	Manual Wishbone Round	1
1602-164IPB	Arm Wishbone Round 27ft IPB	1
1602-197	Bracket Cable Mount	2
1602-210	Pin UHMW Assy	6 + 6 extr
1602-219	Plate Counterweight 20lbs	8
1602-222	Counterweight Plate Assy	2
1602-231	Wishbone Connector Assy	1
2615-052	Bolt Hex 3/8-16 x 1.0	14
2615-059	Bolt Hex 3/8-16 x 4.0	1
2615-188	Bolt Hex 1/2-13 x 3.5	8
2615-346	Eyebolt 0.375-16x4.0	2
2616-052	Screw 10-32 x 1/2 Phillips Head	2
2620-019	Washer 3/8 ID SAE	24
2620-030	Washer 1/2 ID USS	8
2620-047	Washer Split 3/8-16	17
2620-050	Washer Split 1/2	8
2620-405	Nut Hex 3/8-16	17
2620-420	Nut 1/2-13 Hex	8
2620-490	Nut Jam 1/2-13	8



DRAWN	Tpham		DWG. NO.	1602-164	REV.	G
DATE	02/17/22		NAME	Arm Wishbone Round 24ft Kit	WHERE USED	
PROPRIETARY & CONFIDENTIAL: The information contained in this drawing is the sole property of DoorKing, Inc. Any reproduction in part or as a whole without written permission of DoorKing, Inc. is prohibited.						
DO NOT SCALE TO DRAWING	SHEET SIZE	A	SCALE: 1:100	SHEET 3 OF 3		