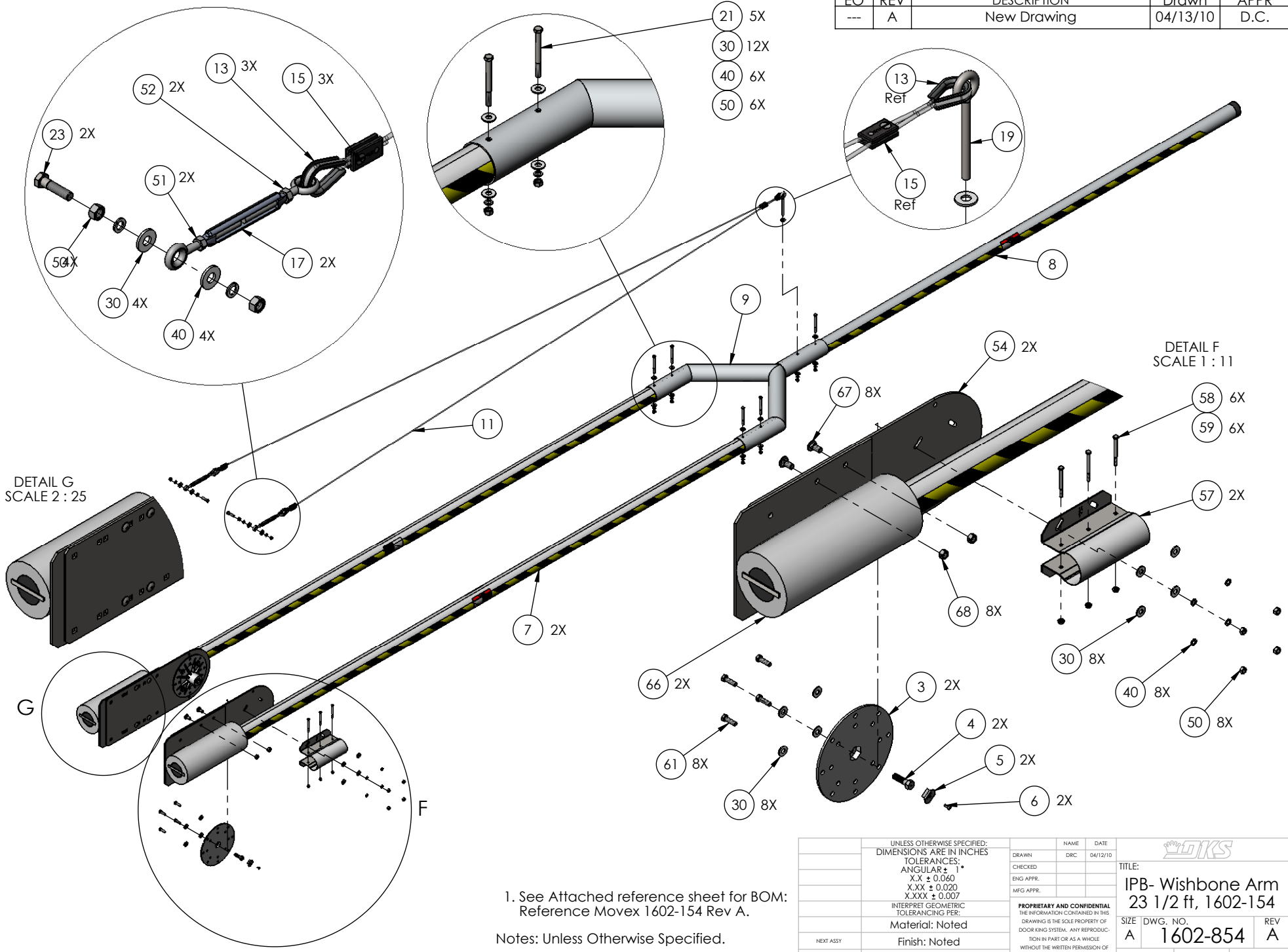


REVISIONS			Drawn	APPR
EO	REV	DESCRIPTION	04/13/10	D.C.
---	A	New Drawing		



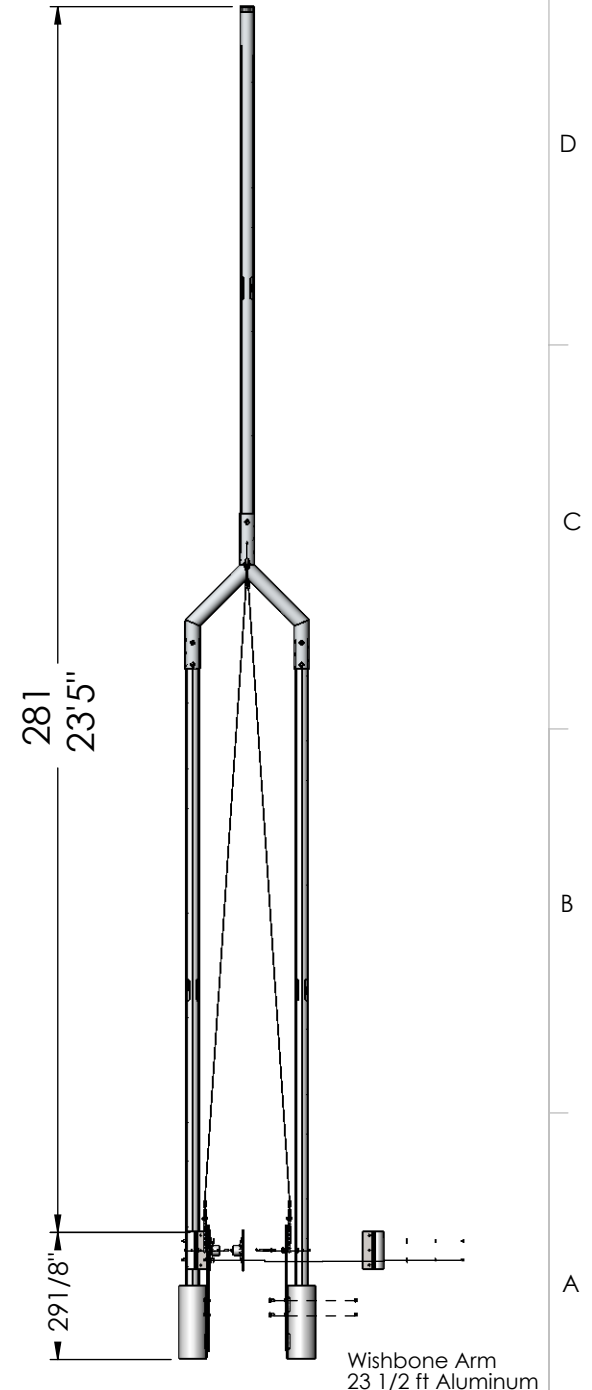
1. See Attached reference sheet for BOM:
Reference Movex 1602-154 Rev A.

Notes: Unless Otherwise Specified.

UNLESS OTHERWISE SPECIFIED: DIMENSIONS ARE IN INCHES TOLERANCES: ANGULAR ± 1° X.X ± 0.060 X.XX ± 0.020 X.XXX ± 0.007 INTERPRET GEOMETRIC TOLERANCING PER: Material: Noted Finish: Noted		NAME DRC DATE 04/12/10		TITLE: IPB- Wishbone Arm 23 1/2 ft, 1602-154
NEXT ASSY	APPLICATION	PROPRIETARY AND CONFIDENTIAL THE INFORMATION CONTAINED IN THIS DRAWING IS THE SOLE PROPERTY OF DOOR KING SYSTEM. ANY REPRODUC- TION IN PART OR AS A WHOLE WITHOUT THE WRITTEN PERMISSION OF DOOR KING SYSTEM IS PROHIBITED.		SIZE DWG. NO. A 1602-854
DO NOT SCALE DRAWING		SCALE: 1:100		SHEET 1 OF 2

BILL OF MATERIALS LIST

1	1602-856	1	EA	IPB Arm 27 1/2ft Wishbone
3	1601-079	2	EA	Hub Die Cast Painted
4	1601-165	2	EA	Bolt Hex Head 1/2-13x1-3/4 Tap
5	1601-097	2	EA	Locking Plate Washer 1601
6	2616-052	2	EA	Screw Phillips Head 10-32 x1/2
7	1602-141	2	EA	Arm Alum 14ft Assembly
8	1601-324	1	EA	Arm Alum 10'7" Assembly
9	1602-145	1	EA	Arm Wishbone Round Alum
11	1602-128	1	EA	Cable Nylon Coated Steel 28'
13	1601-124	3	EA	Thimble Eye Bare End
15	1601-123	3	EA	Cable Clamp
17	1601-122	2	EA	Turnbuckle Stainless
19	2615-346	1	EA	Bolt Eye Turned 3/8-16x4"
21	2615-059	5	EA	Bolt Hex Head 3/8-16 x 4"
23	2615-055	2	EA	Bolt Hex Head 3/8-16 x 1 1/2
30	2620-029	32	EA	Washer 3/8" USS
40	2620-047	17	EA	Lockwasher 3/8"
50	2620-405	18	EA	Nut Hex 3/8-16
51	1601-126	2	EA	Nut 8x1.25mm RH Stainless
52	1601-127	2	EA	Nut 8x1.25mm LH Stainless
54	1602-191	2	EA	Plate Adjustable Counterweight
57	1602-203	2	EA	Bracket Aluminum Rnd Arm 1602
58	2615-015	6	EA	Bolt Hex Head 1/4-20 x 3"
59	2620-409	6	EA	Nut Hex Flange Lock 1/4-20
61	2615-053	8	EA	Bolt Hex Head 3/8-16 x 1 1/4
66	1602-195	2	EA	Counterweight Assy Wishbone
67	2615-681	8	EA	Bolt Carriage 1/2-13x1"
68	2620-320	8	EA	Nut Center Lock 1/2-13



PROPRIETARY AND CONFIDENTIAL THE INFORMATION CONTAINED IN THIS DRAWING IS THE SOLE PROPERTY OF DOORING SYSTEMS. ANY REPRODUCTION IN PART OR AS A WHOLE WITHOUT THE WRITTEN PERMISSION OF DOORING SYSTEMS IS PROHIBITED. DO NOT SCALE DRAWING	SIZE	DWG. NO.	REV
	A	1602-854	A
SCALE: 1:100		SHEET 2 OF 2	