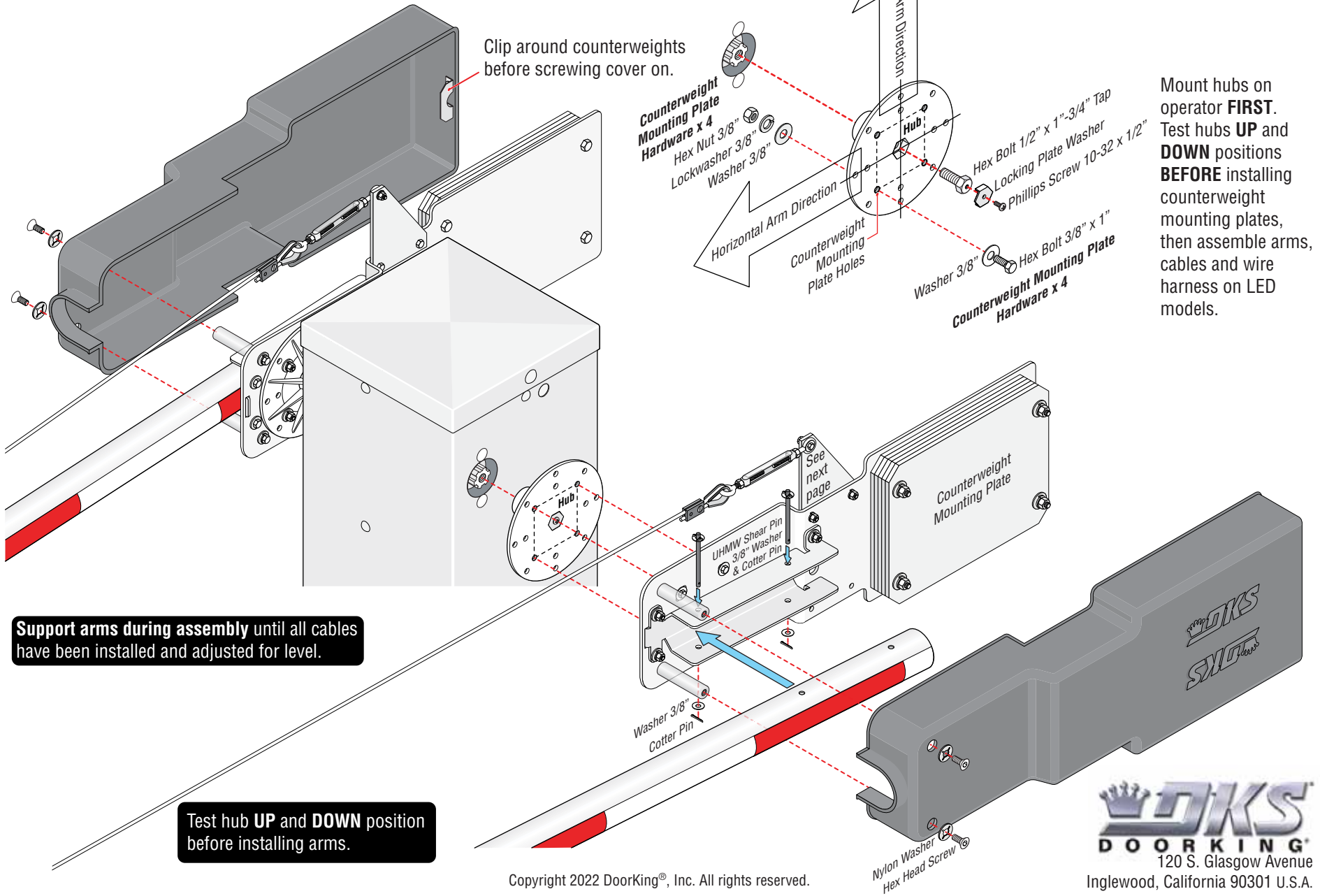


3-PIECE ROUND ARM KITS

These kits are designed **ONLY** for the 1602 model barrier gate operator **without LED lights**.

DoorKing Part Numbers:

1602-162 20 ft Arm **1602-164** 24 ft Arm **1602-166** 27 ft Arm



Mount hubs on operator **FIRST**. Test hubs **UP** and **DOWN** positions **BEFORE** installing counterweight mounting plates, then assemble arms, cables and wire harness on LED models.

Support arms during assembly until all cables have been installed and adjusted for level.

Test hub UP and DOWN position before installing arms.

Copyright 2022 DoorKing®, Inc. All rights reserved.



Wishbone Hardware Assembly

Adjust **ALL** cables with turnbuckles to make the arms level.

