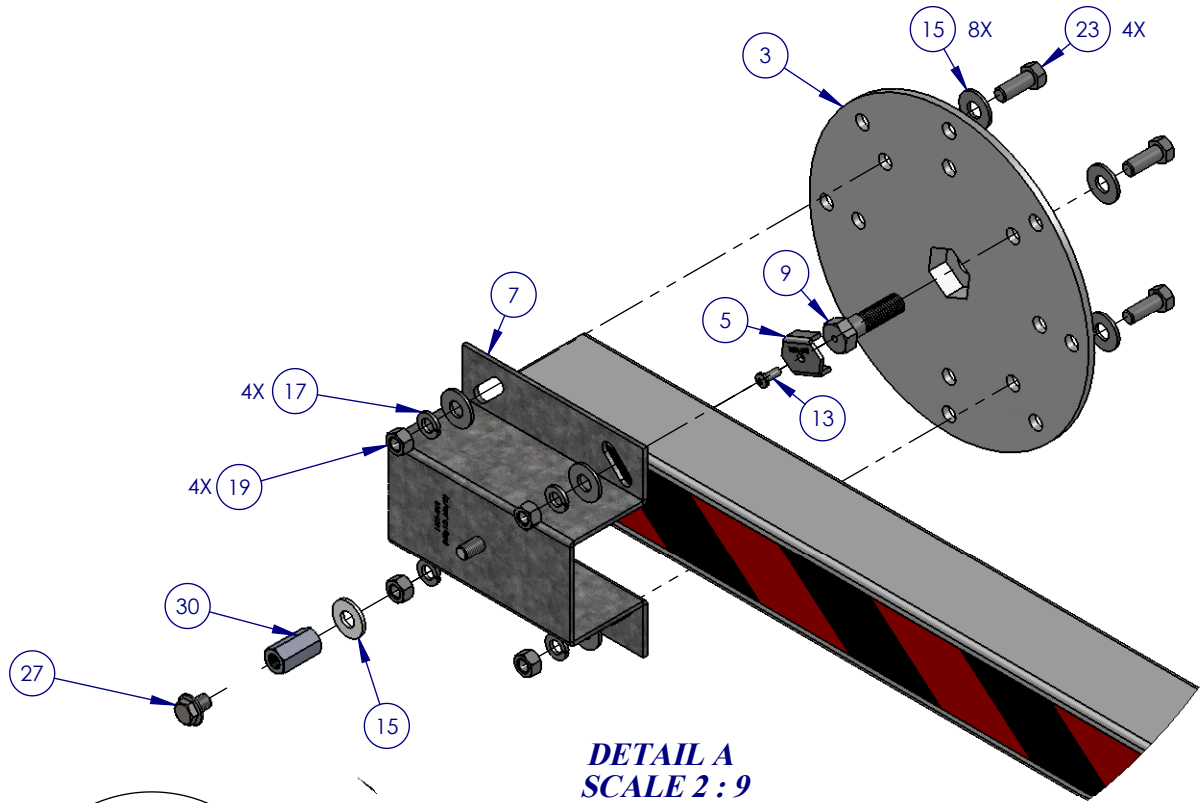
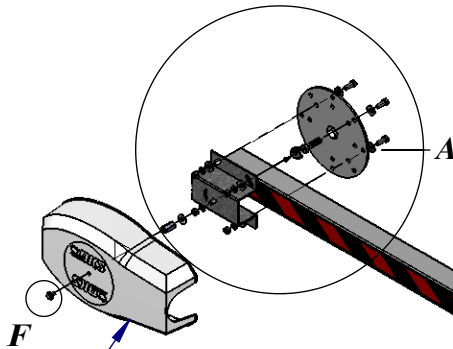


REVISIONS

REV	DESCRIPTION	DATE	APPR
D	Add Standoff Alum 2616-583 for cover mounting, 2615-260 Bolt Hex Flange SS and 2620-029 Washer	4/19-16	D.C.



DETAIL A
SCALE 2 : 9



Shown for Reference Only
1601-281 Cover

Shown for Reference Only
See 1601-571 for Item

Item	Part Number	Qty	UM	Description
1	1601-841	1	EA	IPB-Model 1601-241 Hardware Kit for Plastic Arm
3	1601-079	1	EA	Hub Die Cast Painted
5	1601-097	1	EA	Locking Plate Washer 1601
7	1601-068	1	EA	Bracket Plastic Arm 1601
9	1601-165	1	EA	Bolt Hex Head 1/2-13 x 1 3/4 Tap
13	2616-052	1	EA	Screw Phillips Head 10-32 x 1/2
15	2620-029	9	EA	Washer 3/8 USS
17	2620-047	4	EA	Lockwasher 3/8
19	2620-405	4	EA	Nut Hex 3/8-16
23	2615-052	4	EA	Bolt Hex Head 3/8-16 x 1
27	2615-260	1	EA	Bolt Flanged SS
30	2616-583	1	EA	Standoff hex 3/8-16 x 1 1/4"

PROPRIETARY AND CONFIDENTIAL
THE INFORMATION CONTAINED IN THIS DRAWING IS THE
SOLE PROPERTY OF Door King.
ANY REPRODUCTION IN PART OR AS A WHOLE WITHOUT
THE WRITTEN PERMISSION OF Door King IS PROHIBITED.



Hardware Kit for Plastic Arm
Model 1601-241

SIZE	DWG	REV
A	1601-841	D
SCALE: 1:48		SHEET 1 of 1