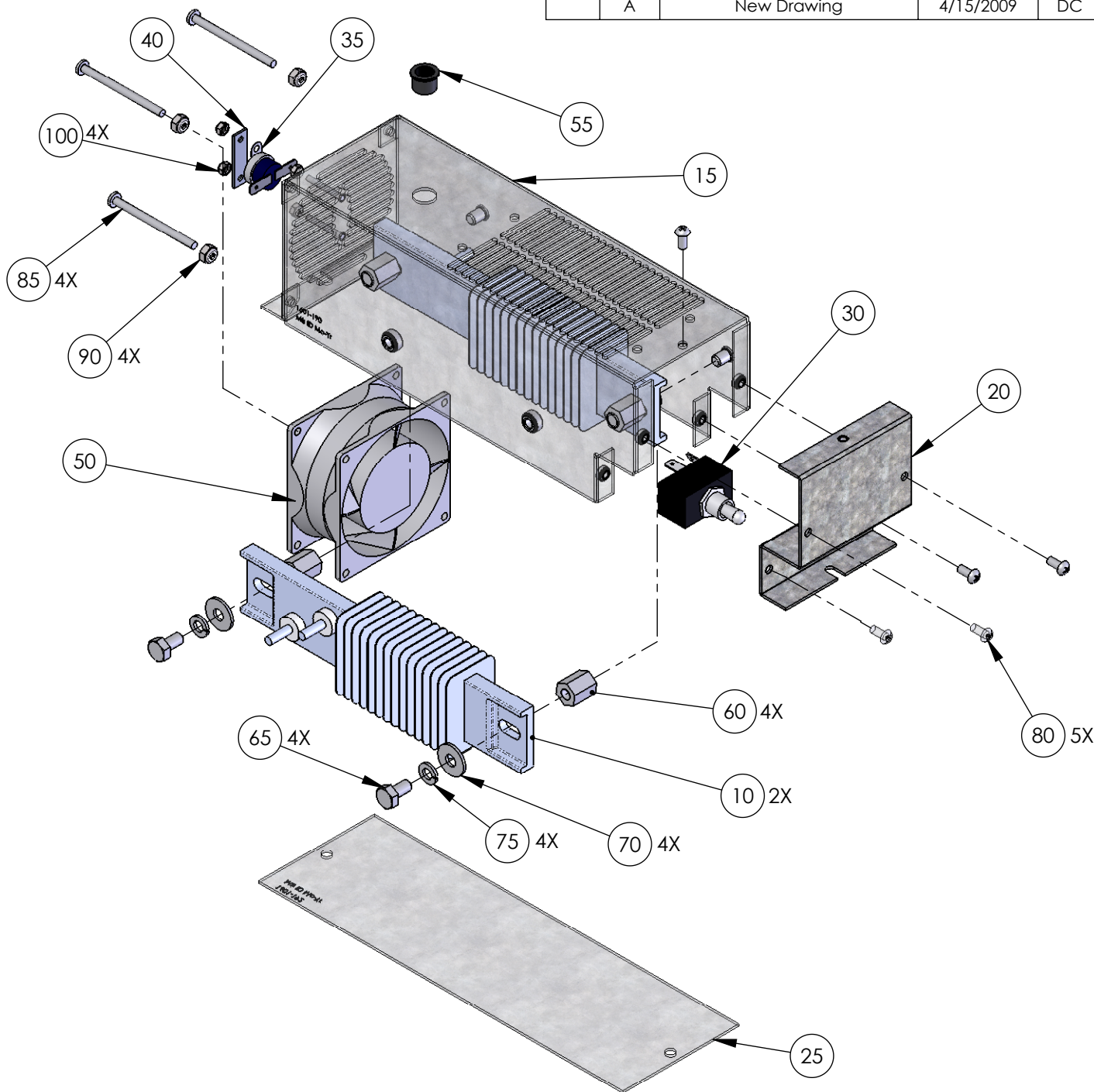


REVISIONS				
ZONE	REV.	DESCRIPTION	DATE	APPR'D
	A	New Drawing	4/15/2009	DC



ITEM	PART NUMBER	DESCRIPTION	QTY
10	1601-013	Finned Strip Heater	2
15	1601-190	Heater Housing Assy	1
20	1601-193	Housing-Right Side	1
25	1601-192	Housing-Mtg Plate	1
30	1601-140	Rev A 3-Pole Toggle SW On-Off	1
35	1601-054	Heater Thermostat	1
40	1601-101	Mtg Plate Thermostat	1
50	1601-098	AC Fan 3.15 x 1.5	1
55	2600-820	Snap Bushing	1
60	2620-450	625 Hex Standoff 250-20	4
65	2615-002	HBOLT 0.2500-20x0.5x0.5-N	4
70	2620-002	Regular Flat Washer 0.25	4
75	2620-045	Regular Lock Washer 0.25	4
80	2616-017	CR-RHMS 0.164-32x0.375x0.375-N	5
85	2616-026	CR-PHMS 0.164-32x2.25x1-N	4
90	2902-004	Nut Nylon Locking 8-32	4
100	2902-002	Nut Nylon Locking 4-40	4

ITEM #45 --- 1601-344 Wire Assembly 230VAC (not shown).


ITEM #95 --- 2902-006 10-32 Nuts Qty 2 (not shown).

ITEM #105 --- 1601-167 Manual (not shown).

**Notes: Unless Otherwise Specified.**

**PROPRIETARY AND CONFIDENTIAL**

THE INFORMATION CONTAINED IN THIS DRAWING IS THE SOLE PROPERTY OF DOORKING. ANY REPRODUCTION IN PART OR AS A WHOLE WITHOUT THE WRITTEN PERMISSION OF DOORKING IS PROHIBITED.



**IPB-Model 1601-197, 230VAC  
Dual Heater Assembly w/Fan**

SIZE	DWG. NO.	REV.
<b>A</b>	<b>1601-197</b>	<b>A</b>
Scale: None		SHEET 1 OF 2