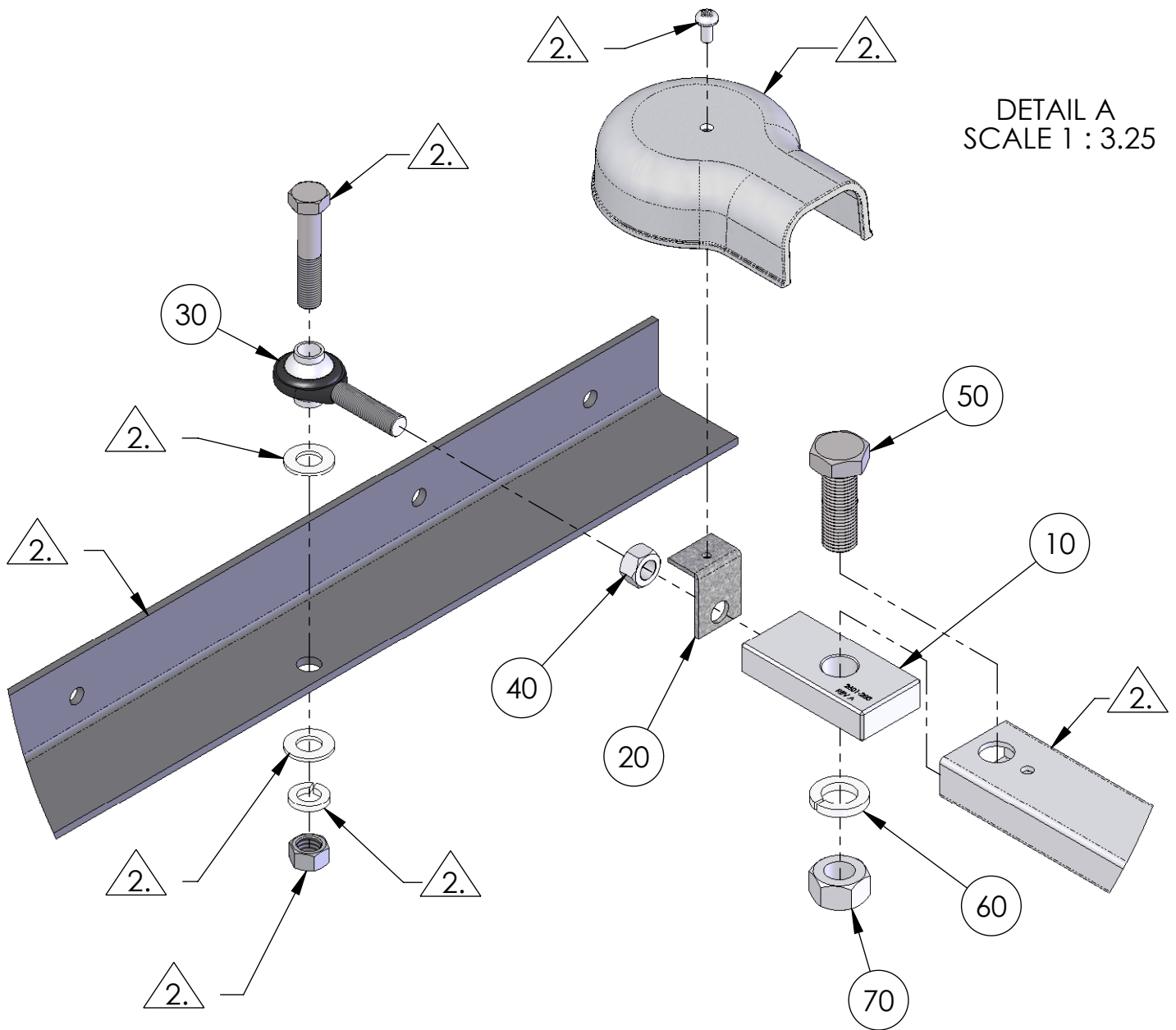


REVISIONS

ZONE	REV.	DESCRIPTION	DATE	APPROVED
	A	New Drawing	6/4/2010	



ITEM	PART NUMBER	DESCRIPTION	QTY
10	2601-280	Block Ball Joint Mount	1
20	2601-276	Bracket Cover Mount Pivot	1
30	2601-278	Ball Joint Body	1
40	2620-421	Nut Hex 1/2-20 UNF Thread	1
50	2615-195	Bolt Hex 3/4-10 Thread x 2"	1
60	2620-052	Washer Split Lock 3/4	1
70	2620-430	Nut Hex 3/4-10	1

1. To be used as an option along with Main Arm Assembly #6500-430 but removing the Bronze Spacer #2600-054, and Nut Spacer #2620-450.

2. Included with the 6500-430 Assembly.

Notes: Unless Otherwise Specified.

PROPRIETARY AND CONFIDENTIAL

THE INFORMATION CONTAINED IN THIS DRAWING IS THE SOLE PROPERTY OF DOORKING. ANY REPRODUCTION IN PART OR AS A WHOLE WITHOUT THE WRITTEN PERMISSION OF DOORKING IS PROHIBITED.

www.doorking.com

IPB-Ball Joint Pivoting Arm Kit

SIZE	A	DWG. NO.	6500-490	REV.	A
Scale: None			SHEET 1 OF 2		